

# Blade Fuse Block and Clips

## 100 Series > Circuit Board Mountable



### Product Characteristics

Blocks and Clips for Blade Fuses	
<b>Compatible Fuses</b>	Automotive Blade Fuses
<b>Electrical Specifications</b>	Rated Voltage: 500 V
	Rated Current: From 15 to 30 A
<b>Molded Parts</b>	Insulation Block: Black Thermoplastic PET (UL94 V-0) and PA66 (UL94 V-0)
<b>Metal Parts</b>	PCB Terminals: Tin Plated Cu Alloy
<b>Electrical</b>	Insulation Resistance: 10,000 Megaohm Minimum at 500 VDC
	Contact Resistance: ≤ 5 mΩ Maximum
<b>Ambient Temperature</b>	-40 °C to 125 °C

### Features & Benefits

- RoHS-compliant and lead-free
- Suitable for ISO 8820-3 Type F and C blade fuses
- Special copper alloy resulting in higher current ratings
- Tin plated leads for easy soldering process
- UL Recognized to UL 4248-1 and CSA 4248.1
- Low profile design for PC board mountable terminals for Pb-free wave soldering process

### Additional Information



Resources



Accessories



Samples

### Agency Approval

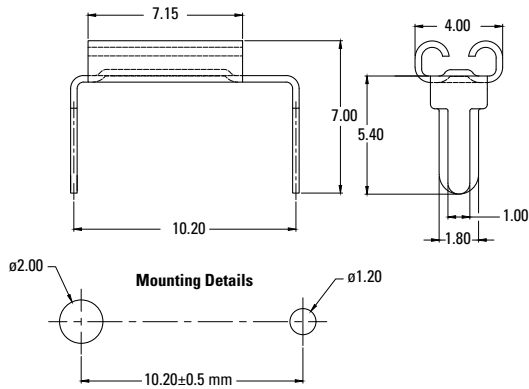
Agency	Agency File Number
	E14721

# Blade Fuse Block and Clips

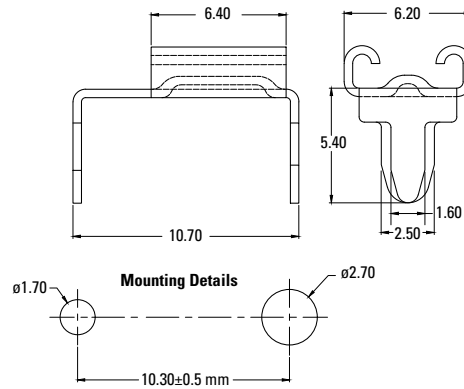
## 100 Series > Circuit Board Mountable

### Product Dimensions (in mm)

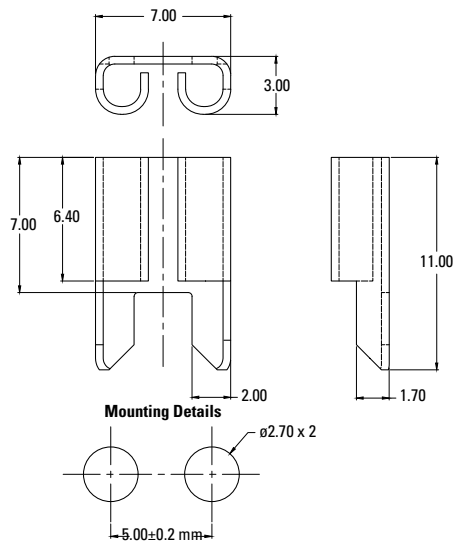
**01000059Z Horizontal Fuse Clip for Type F or MINI blade fuses**



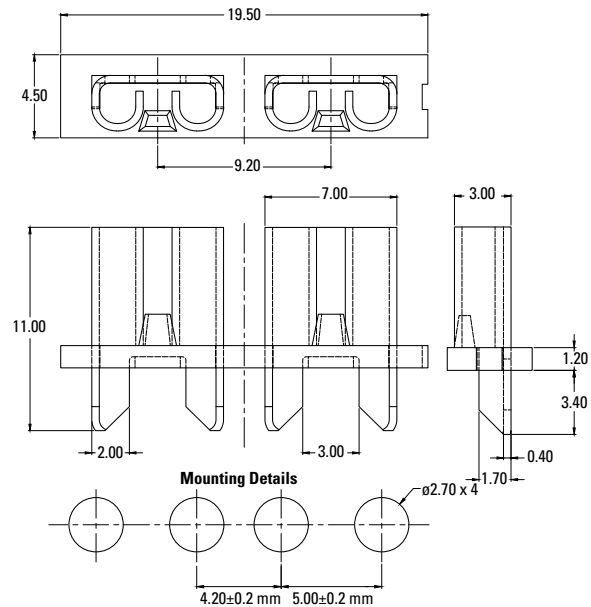
**01000060Z Horizontal Fuse Clip for Type C or ATFO blade fuses**



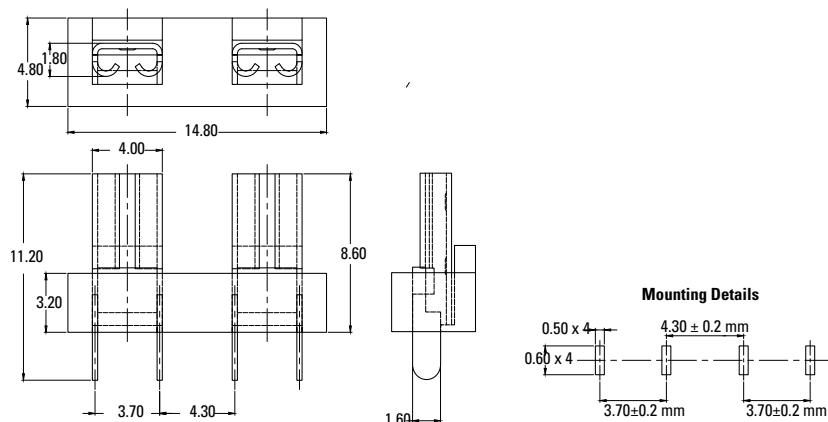
**01000061Z Vertical Fuse Clip for Type C or ATFO blade fuses**



**01000062Z Low Profile Fuse Block for Type C or ATFO blade fuses**



**01000063Z Low Profile Fuse Block for Type F or MINI blade fuses**

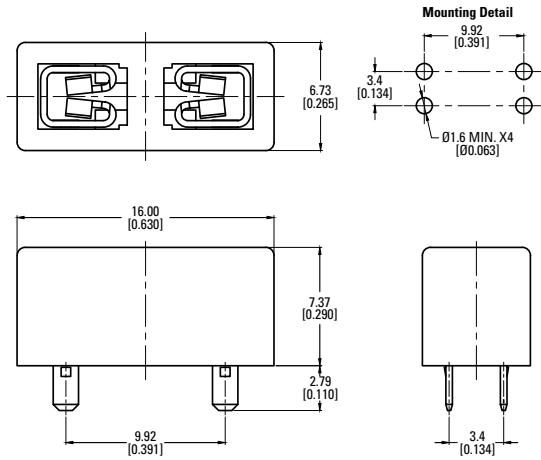


# Blade Fuse Block and Clips

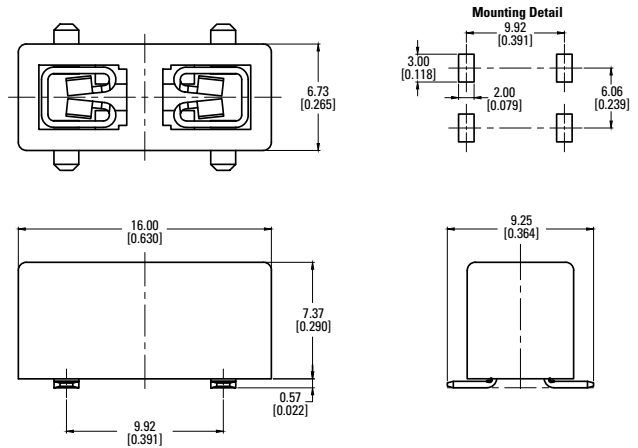
## 100 Series > Circuit Board Mountable

### Product Dimensions in mm [inch]

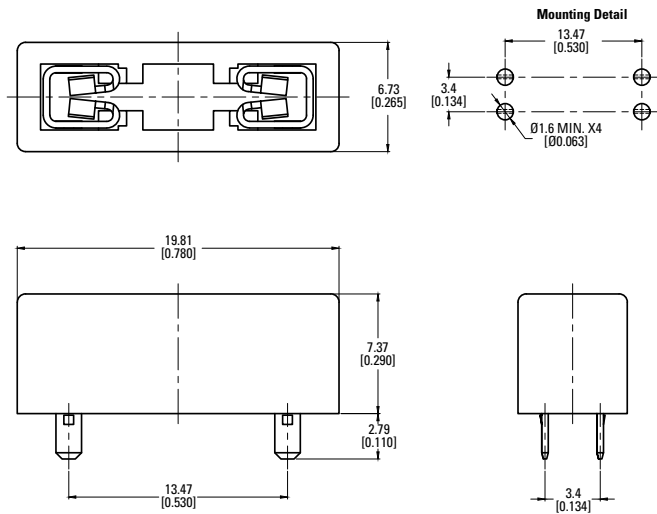
**01000064Z For Mini Fuse Through Hole Installation**



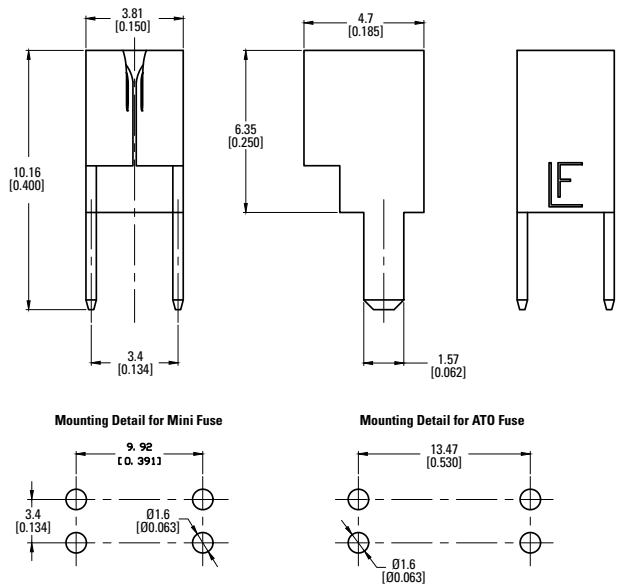
**01000065Z For Mini Fuse Surface Mount Installation**



**01000066Z For ATO Fuse Through Hole Installation**



**01000067Z For Mini And ATO Fuse Through Hole Installation**



# Blade Fuse Block and Clips

## 100 Series > Circuit Board Mountable

### Soldering Parameters—Wave Soldering

Wave Parameter	Lead-Free Recommendation
<b>Preheat:</b> (Depends on Flex Activation Temperature)	(Typical Industry Recommendation)
Temperature Minimum	100 °C
Temperature Maximum	150 °C
Preheat Time	60–180 seconds
<b>Solder Pot Temperature</b>	260 °C Maximum
<b>Solder Dwell Time</b>	2–5 seconds

**Recommended Hand-Solder Parameters:**

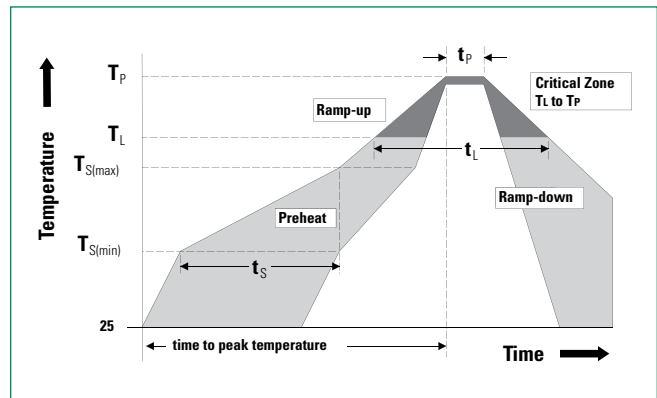
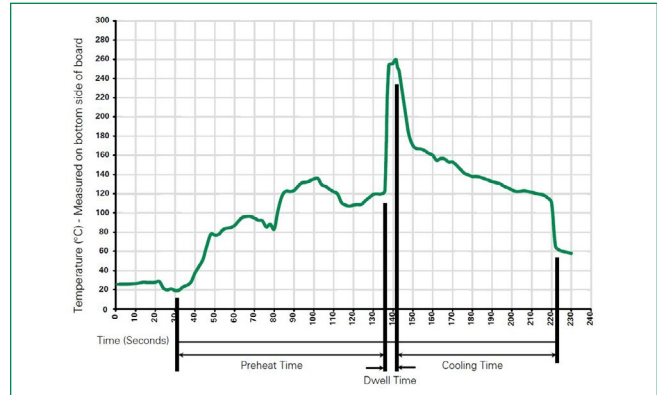
Solder Iron Temperature: 350 °C +/- 5 °C

Heating Time: 5 seconds max.

**Note:** These devices are not recommended for IR or Convection Reflow process.

<b>Average Ramp-Up Rate (<math>T_{s_{max}}</math> to TP)</b>	3 °C/second max.	
<b>Preheat</b>	Temperature Min ( $T_{s_{min}}$ )	150 °C
	Temperature Max ( $T_{s_{max}}$ )	200 °C
	Time ( $T_{s_{min}}$ to $T_{s_{max}}$ )	60–120 seconds
<b>Time maintained above</b>	Temperature ( $T_L$ )	217 °C
	Time ( $t_L$ )	60-105 seconds
<b>Peak Temperature (<math>T_p</math>)</b>	255 °C	
<b>Time within 5 °C of actual Peak Temperature (<math>t_p</math>)</b>	5 seconds max.	
<b>Ramp-Down Rate</b>	6 °C/second max.	
<b>Time 25 °C to Peak Temperature</b>	8 minutes max.	

**Note:** For SMD version, a bake process for 30 minutes at 125 °C is suggested prior to be subjected to reflow soldering process.



### Ordering Information

Ordering PN	Description	Packaging
01000059Z	Horizontal Fuse Clip For Mini Fuse 15 Amp.	1000 pieces, bulk pack
01000060Z	Horizontal Fuse Clip For ATO Fuse 30 Amp.	1000 pieces, bulk pack
01000061Z	Vertical Fuse Clip For ATO Fuse 30 Amp.	1000 pieces, bulk pack
01000062Z	Low Profile Fuse Block For ATO Fuse 30 Amp.	1000 pieces, bulk pack
01000063Z	Low Profile Fuse Block For Mini Fuse 20 Amp.	1000 pieces, bulk pack
01000064Z	High Profile Block Mini Fuse THT 30 Amp.	1000 pieces, bulk pack
01000065Z	High Profile Block Mini Fuse SMT 30 Amp.	1000 pieces, bulk pack
01000066Z	High Profile Block ATO Fuse THT 30 Amp.	1000 pieces, bulk pack
01000067Z	Vertical Fuseclip for Mini-ATO Fuses 30 Amp.	1000 pieces, bulk pack

**Note:**

Panel thickness minimum 0,8 mm and maximum 2.5 mm

**Disclaimer Notice** - Information furnished is believed to be accurate and reliable. However, users should independently evaluate the suitability of and test each product selected for their own applications. Littelfuse products are not designed for, and may not be used in, all applications. Read complete Disclaimer Notice at <http://www.littelfuse.com/disclaimer-electronics>.