

# Up to 60 A Class H(K) 250 V and 600 V ferrule power distribution fuse blocks

RoHS



250 volt 60 amp modular blocks.



600 volt 30 and 60 amp modular blocks.

## Features and benefits:

- Combination power distribution block and fuse block reduces wire connections and total panel components, using up to 57 percent less panel space and reducing installation time and labor by an average of 33 percent when compared with traditional fuse block/power distribution block solutions.
- Optional see-through cover enhances safety with IP20 finger-safe protection, lockout/tagout capability and open circuit indication.
- Available in 1-, 2- and 3-pole configurations to meet stocking requirements.
- To reduce inventory, assembly time and labor, modular single-pole blocks snap-together for tool-less assembly of multiple poles at point of use.
- DIN-Rail and panel mount versatility allows one product to be used for multiple applications without incurring additional inventory cost.

## Catalog symbols:

- HM25060-\_MW\_
- HM60030-\_MW\_
- HM60060-\_MW\_

## Description:

Bussmann® series 250 V and 600 V Class H(K) fuse block features power distribution capability.

This patented design simplifies panel layouts and uses up to 57 percent less panel space. Additionally, it lowers inventory costs while reducing installation time and labor by an average of 33 percent.

Furthermore, this design uses fewer wire connections, reducing watts loss and overall operating temperature of the panel.



Powering Business Worldwide

## Specifications:

### Fuse class

- Class H(K)

### Ratings

- Volts:
  - 250 V
  - 600 V
- Amps: up to 60 A
- Withstand rating (SCCR): 10 kA Sym RMS

### Agency information

- Blocks:
  - UL® Listed E14853 – IZLT
  - CSA® Certified 47235 — 6225-01
- Covers: UL Listed UL E58836 – JDVS
- RoHS compliant

### Poles

- 1-, 2-, 3-pole

### Flammability ratings

- Blocks: UL 94V0, self-extinguishing
- Covers: UL 94HB, self-extinguishing

### Operating and storage temperature range

- Blocks: -40°C to +120°C
- Covers:
  - Non-indicating -40°C to +120°C
  - Indicating -20°C to +90°C

## Materials

- Base: Thermoplastic
- Terminals: Tin-plated aluminum

## Conductors

- 75°C Cu/Al (unless otherwise noted)

## Accessories:

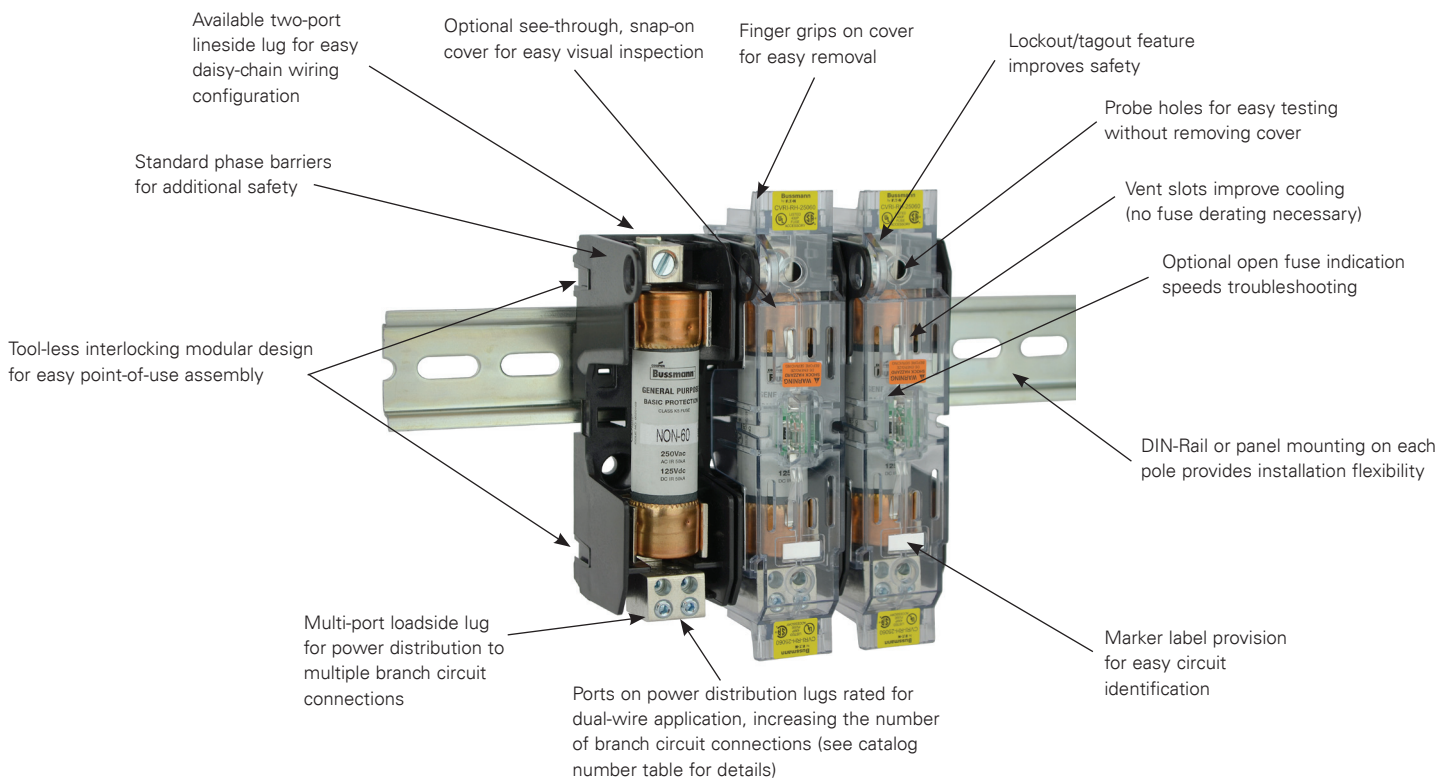
- Optional IP20 finger-safe covers in indicating and non-indicating versions. Order one for each pole.
- Universal marker labels, Bussmann series catalog number TM26CB.
- DIN-Rail end stops, Bussmann series catalog numbers BRKT-ND or BRKT-NDSCREW2.

## Recommended fuses (order separately)

Description	Volts	Data sheet no.
Basic protection general purpose NON	250 V	1030
Basic protection general purpose NOS	600 V	1030

## Recommended accessories for 30 and 60 amp blocks:

Description	Catalog no.
DIN-Rail end stops	BRKT-ND BRKT-NDSCREW2
Marker labels	TM26CB



Catalog numbers:

Catalog no.	Optional covers*	Fuse amp range	Poles	Lineside (conductors per port)				Loadside (conductors per port)			
				Conductors	Ports/pole	Torque AWG	N-m (lb-in)	Conductors	Ports/pole	Torque AWG	N-m (lb-in)
<b>250 Volts</b>											
HM25060-1MW12	N/A	35 - 60	1		2-4	5.6 (50)		2-3	5.6 (50)		
HM25060-2MW12			2	Cu 2-14 Al 2-8	2	6-10	4.5 (40)	Cu 2-14 Al 2-8	1	4-6	5.1 (45)
HM25060-3MW12			3			12-14	1.7 (15)			8	4.5 (40)
HM25060-1MW14	CVR-RH-25060 CVRI-RH-25060**	35 - 60	1		2-3	5.6 (50)		Cu (1) 8	3.4 (30)		
HM25060-2MW14			2	Cu 2-14 Al 2-8	1	4-6	5.1 (45)	Cu (1) 8-14 Cu (2) 12-14*** Al (1) 8 Str Al (1) 10 Sol	4	Cu (1) 10-14	2.8 (25)
HM25060-3MW14			3			8	4.5 (40)			Cu (2) 12-14	3.4 (30)
HM25060-1MW24†	N/A	35 - 60	1		2-4	5.6 (50)		Cu (1) 8	3.4 (30)		
HM25060-2MW24†			2	Cu 2-14 Al 2-8	2	6-10	4.5 (40)	Cu (1) 8-14 Cu (2) 12-14*** Al (1) 8 Str Al (1) 10 Sol	4	Cu (1) 10-14	2.8 (25)
HM25060-3MW24†			3			12-14	1.7 (15)			Cu (2) 12-14	3.4 (30)
								Al (1) 8-10	3.4 (30)		
<b>600 Volts</b>											
HM60030-1MW14†	N/A	up to 30	1		2-3	5.6 (50)		Cu (1) 8	3.4 (30)		
HM60030-2MW14†			2	Cu 2-14 Al 2-8	1	4-6	5.1 (45)	Cu (1) 8-14 Cu (2) 12-14*** Al (1) 8 Str Al (1) 10 Sol	4	Cu (1) 10-14	2.8 (25)
HM60030-3MW14†			3			8	4.5 (40)			Cu (2) 12-14	3.4 (30)
								Al (1) 8-10	3.4 (30)		
HM60060-1MW12	CVR-RH-60060 CVRI-RH-60060**	35-60	1		2-4	5.6 (50)		Cu (1) 8	3.4 (30)		
HM60060-2MW12			2	Cu 2-14 Al 2-8	2	6-10	4.5 (40)	Cu 2-14 Al 2-8	1	4-6	5.1 (45)
HM60060-3MW12			3			12-14	1.7 (15)			8	4.5 (40)
								10-14	4.0 (35)		
HM60060-1MW14	CVR-RH-60060 CVRI-RH-60060**	35-60	1		2-3	5.6 (50)		Cu (1) 8	3.4 (30)		
HM60060-2MW14			2	Cu 2-14 Al 2-8	1	4-6	5.1 (45)	Cu (1) 8-14 Cu (2) 12-14*** Al (1) 8 Str Al (1) 10 Sol	4	Cu (1) 10-14	2.8 (25)
HM60060-3MW14			3			8	4.5 (40)			Cu (2) 12-14	3.4 (30)
								10-14	4.0 (35)		
HM60060-1MW24†	N/A	35 - 60	1		2-4	5.6 (50)		Cu (1) 8	3.4 (30)		
HM60060-2MW24†			2	Cu 2-14 Al 2-8	2	6-10	4.5 (40)	Cu (1) 8-14 Cu (2) 12-14*** Al (1) 8 Str Al (1) 10 Sol	4	Cu (1) 10-14	2.8 (25)
HM60060-3MW24†			3			12-14	1.7 (15)			Cu (2) 12-14	3.4 (30)
								Al (1) 8-10	3.4 (30)		

\* Order one cover per pole.  
 \*\* With open fuse indication. 90 V minimum and closed circuit required for illumination.  
 \*\*\* Dual wire rated lugs with same wire size and stranding.  
 † Rated for use with 75°C/90°C Cu/Al conductors.



600 volt 60 amp modular blocks with single port lineside lugs and four port loadside lugs and optional finger-safe IP20 covers.



600 volt 60 amp modular blocks with dual port lineside lugs and four port loadside lugs.



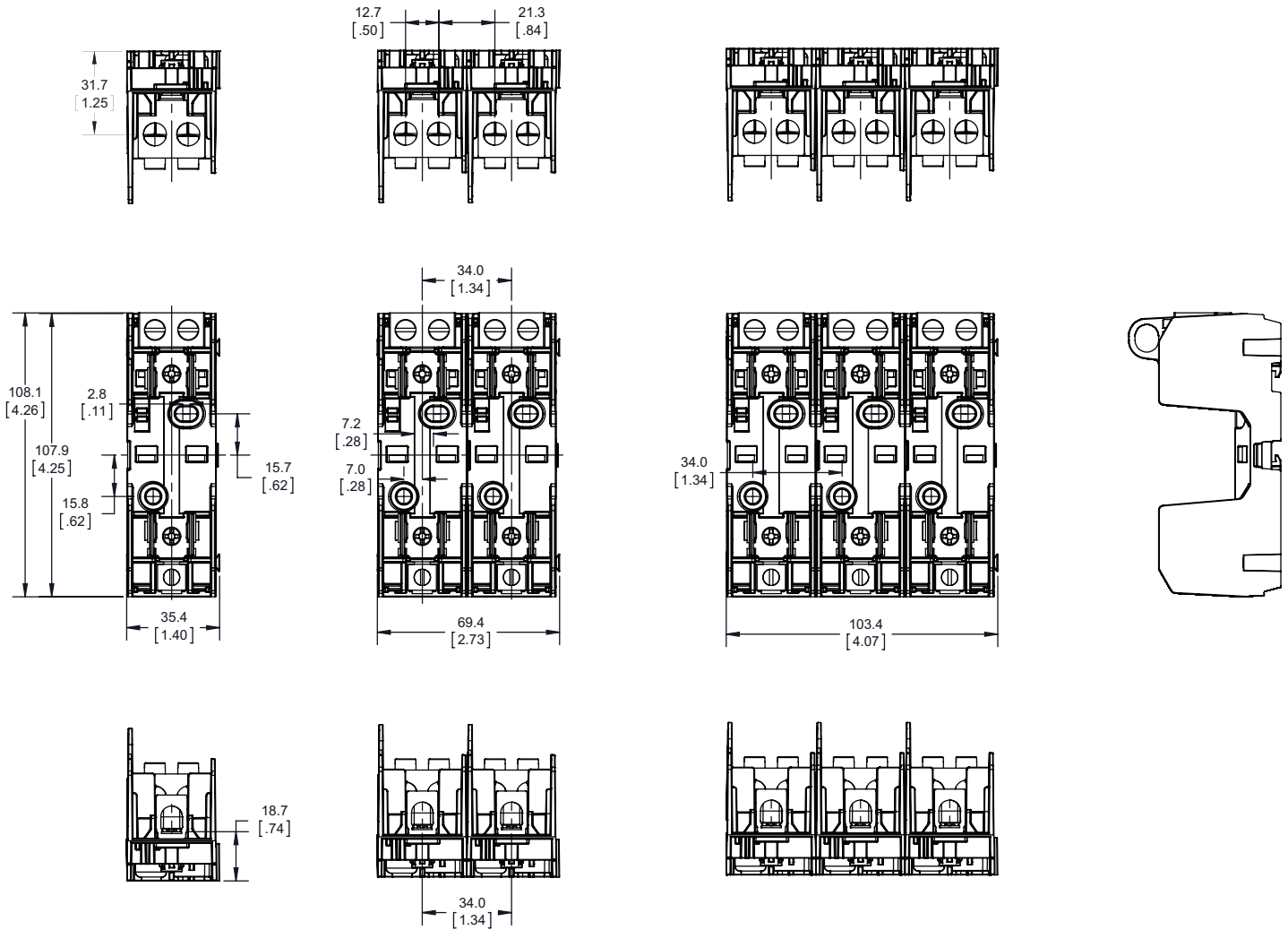
600 volt 30 amp modular blocks with single port lineside lugs and four port loadside lugs.



250 volt 60 amp modular blocks with single port lineside lugs and four port loadside lugs with optional finger-safe IP20 covers.

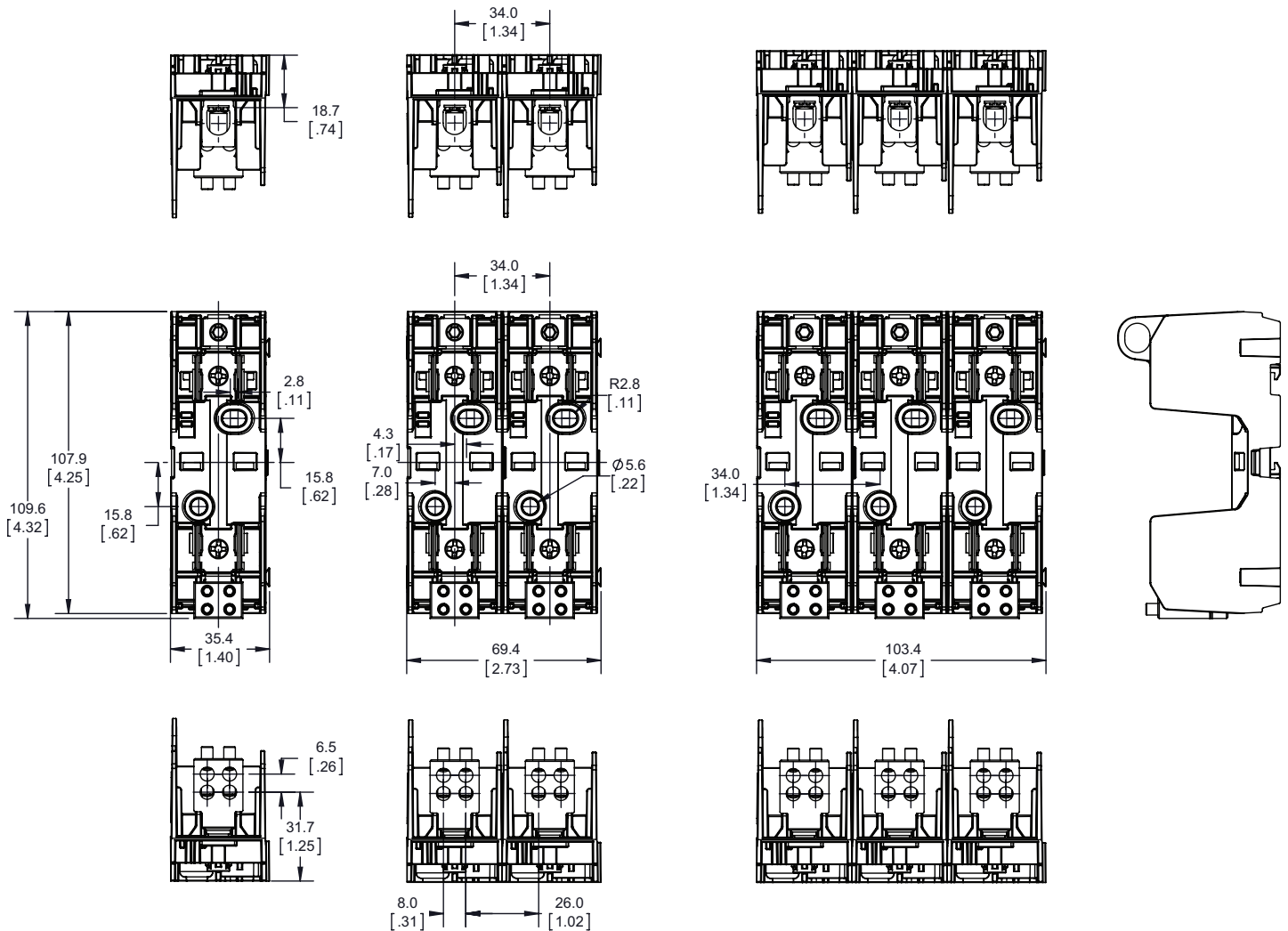
**250 V, 60 A dimensions — mm (in)**

Catalog nos. HM25060-(poles)MW12 — Two ports in, one port out (covers not available)

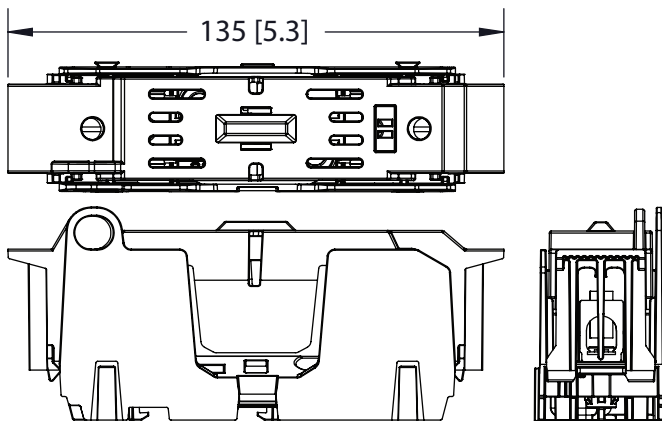


**250 V, 60 A dimensions — mm (in)**

Catalog nos. HM25060-(poles)MW14 — One port in, four ports out

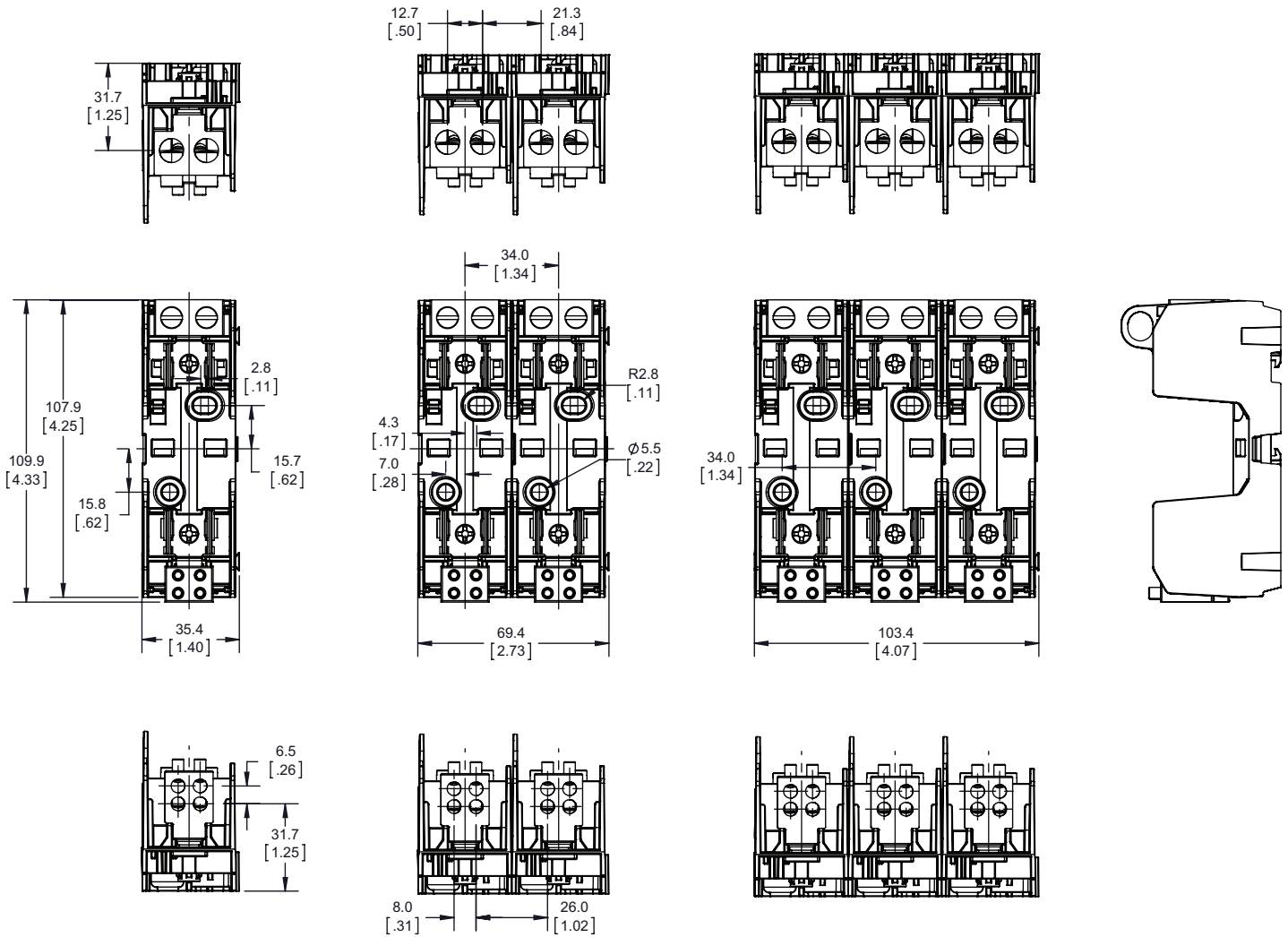


With optional cover, see catalog number table on page three for available versions



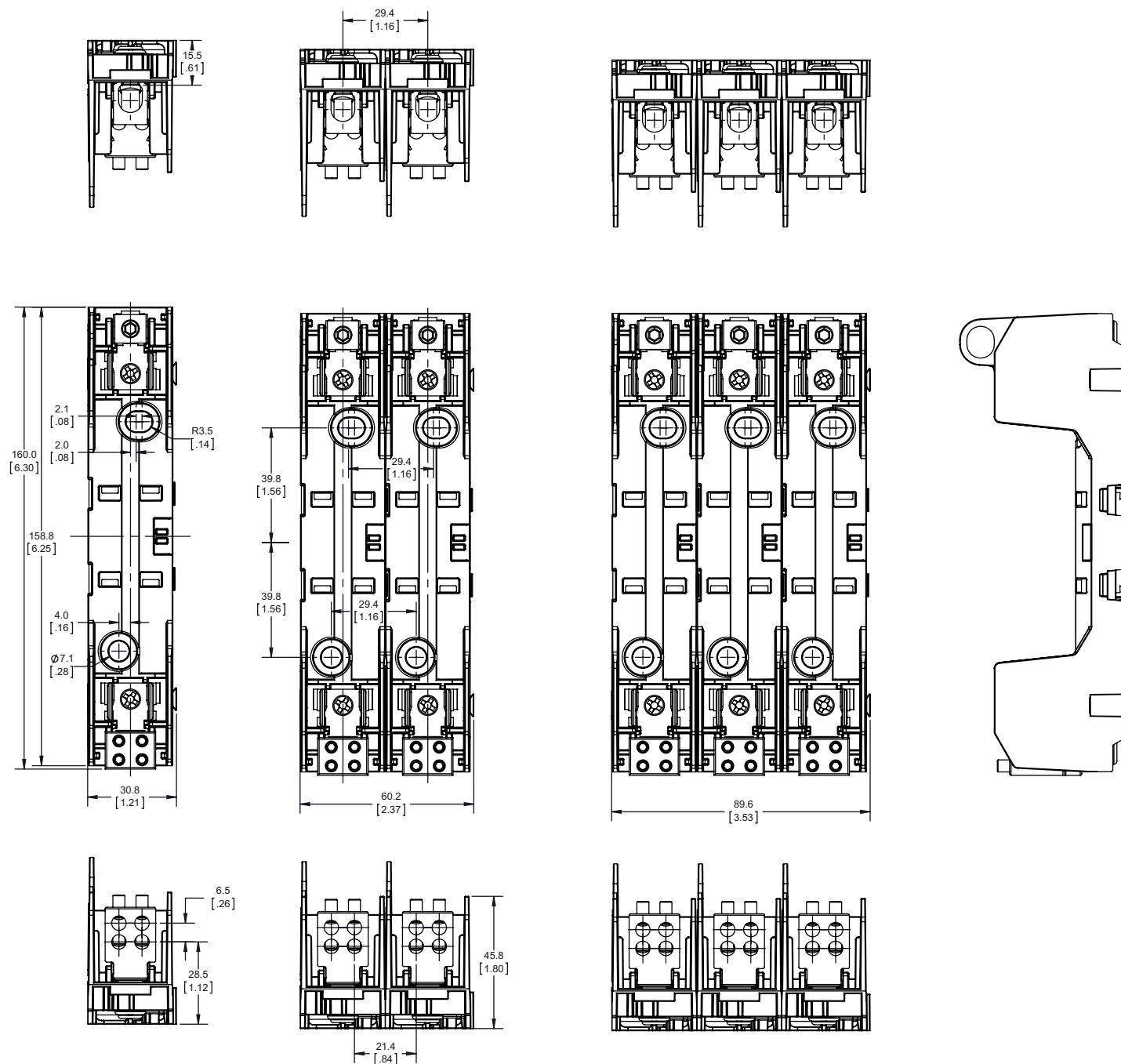
**250 V, 60 A dimensions — mm (in)**

Catalog nos. HM25060-(poles)MW24 — Two ports in, four ports out (covers not available)



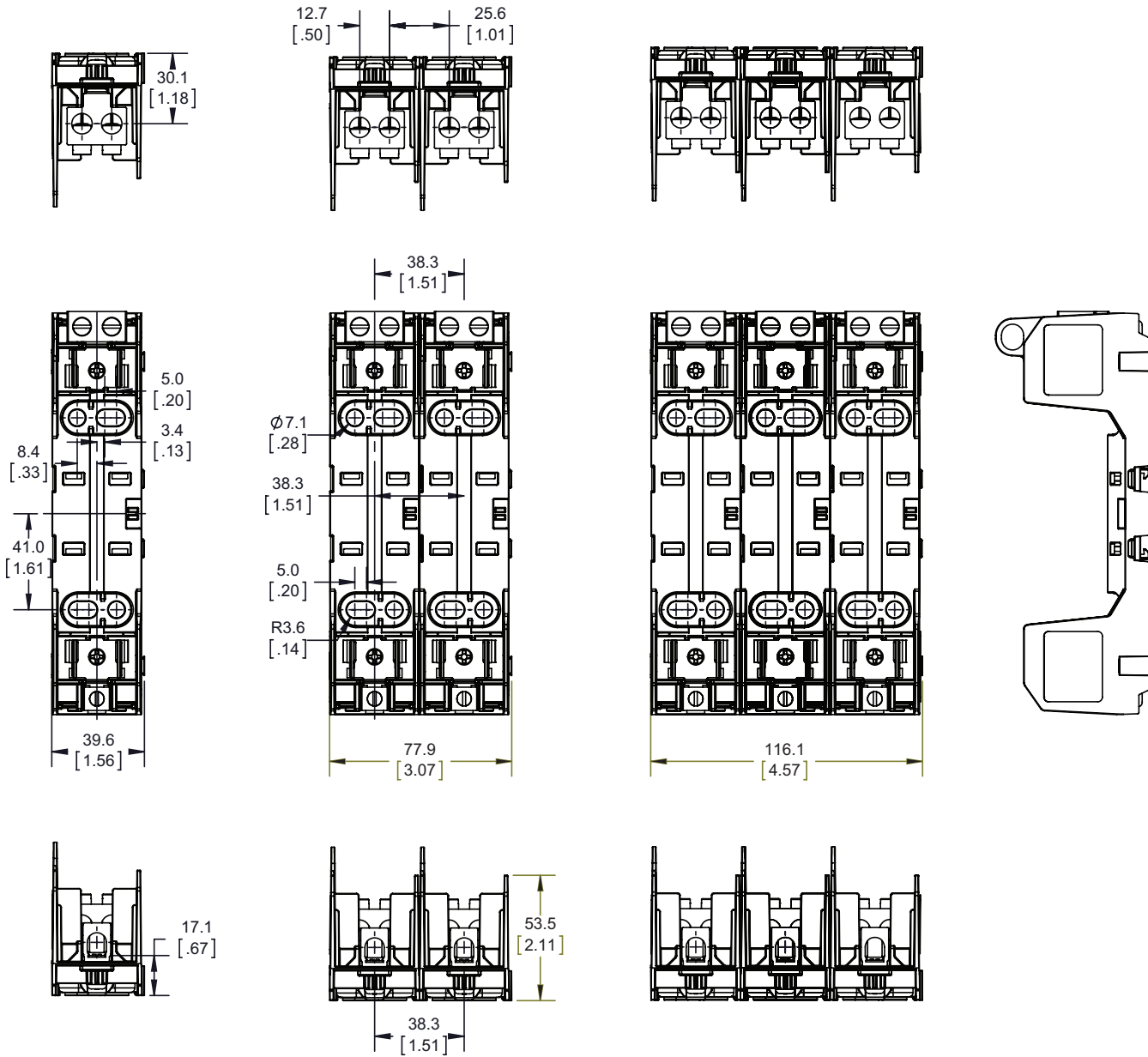
**600 V, 30 A dimensions — mm (in)**

Catalog nos. HM60030-(poles)MW14 — One port in, four ports out (covers not available)

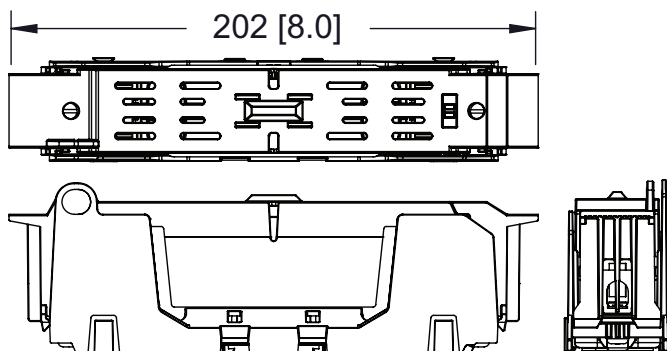


**600 V, 60 A dimensions — mm (in)**

Catalog nos. HM60060-(poles)MW12 — Two ports in, one port out



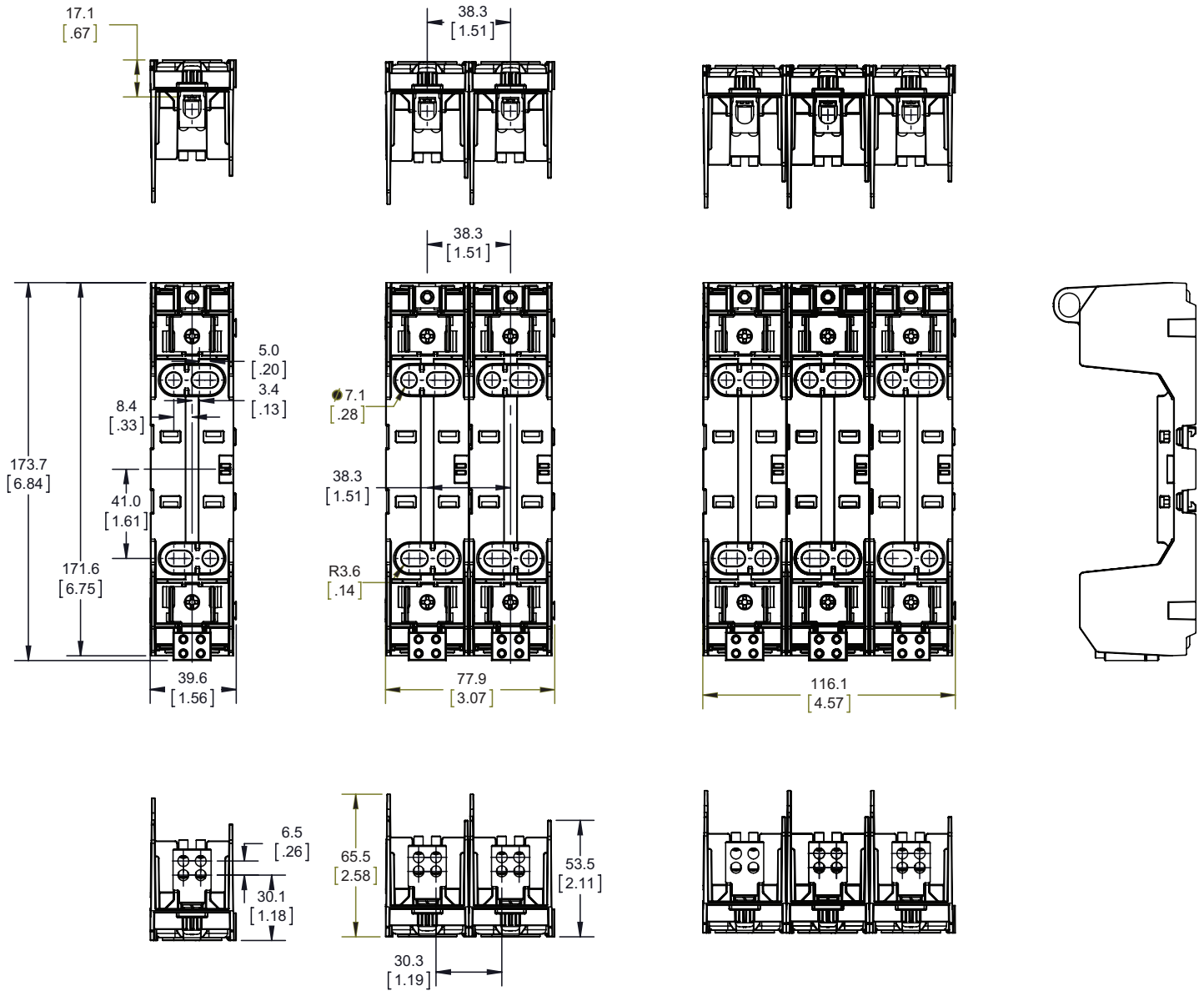
With optional cover, see catalog number table on page three for available versions



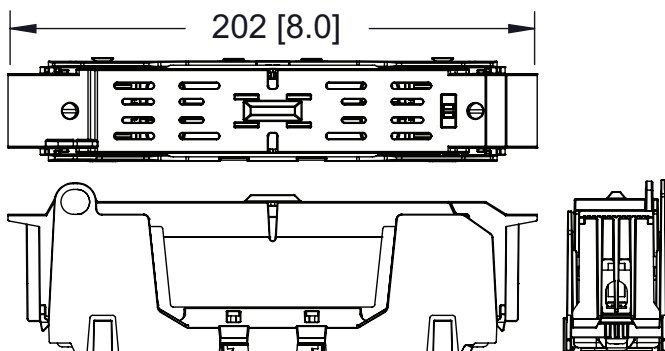


**600 V, 60 A dimensions — mm (in)**

Catalog nos. HM60060-(poles)MW14 — One port in, four ports out

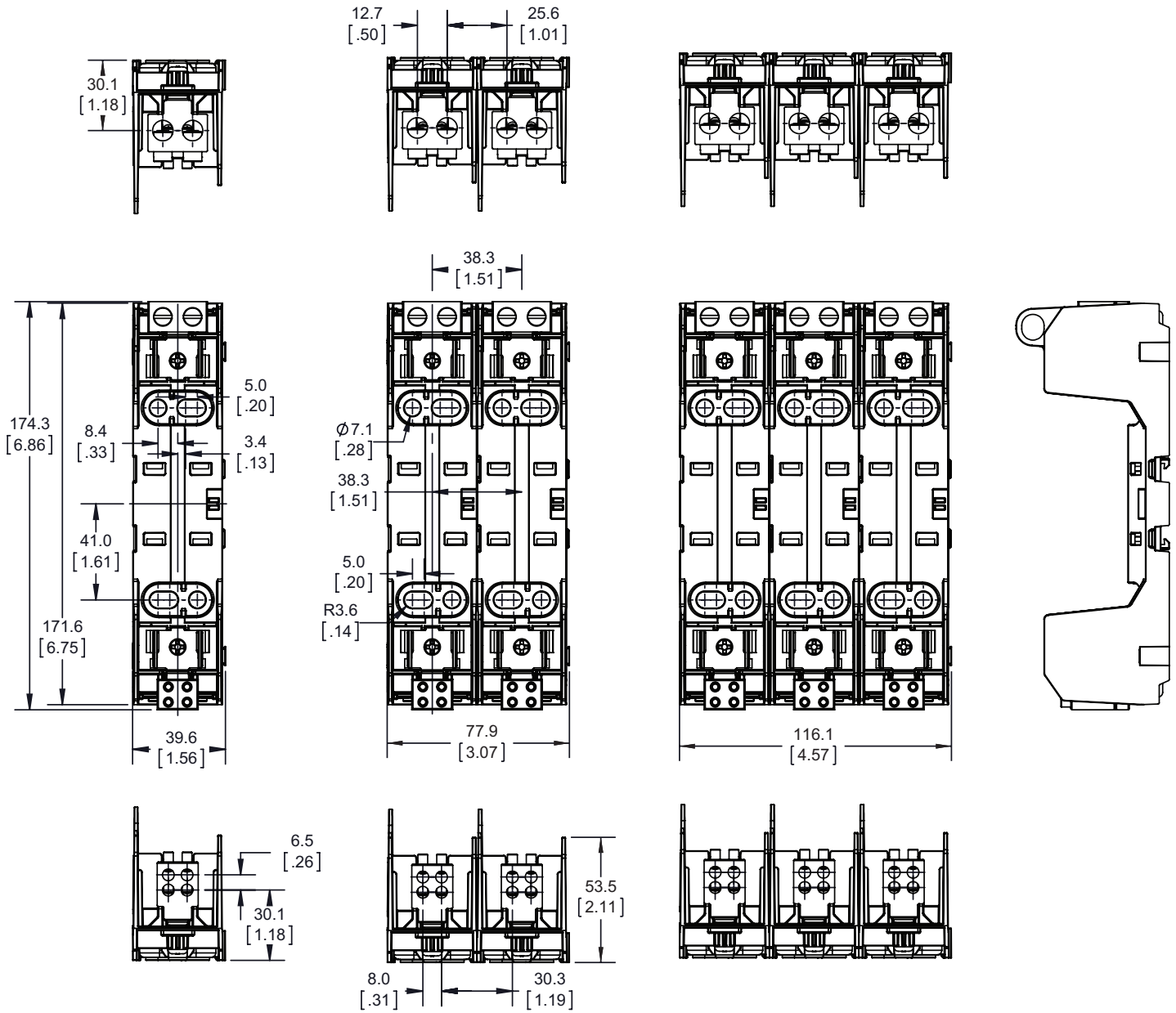


With optional cover, see catalog number table on page three for available versions

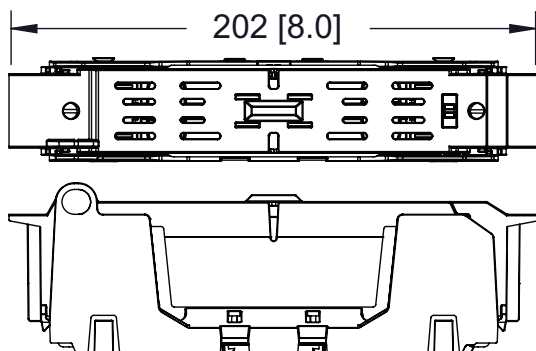


**600 V, 60 A dimensions — mm (in)**

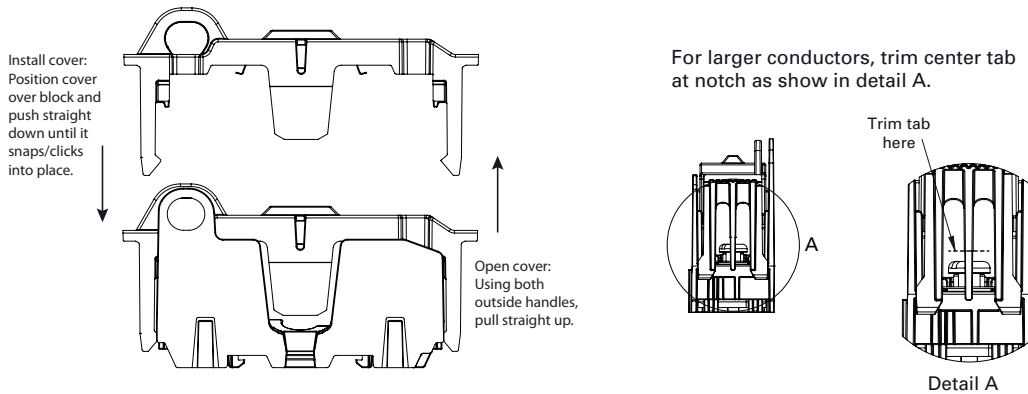
Catalog nos. HM60060-(poles)MW24 — Two ports in, four ports out



With optional cover, see catalog number table on page three for available versions



### Installing/removing covers on 30 and 60 amp blocks

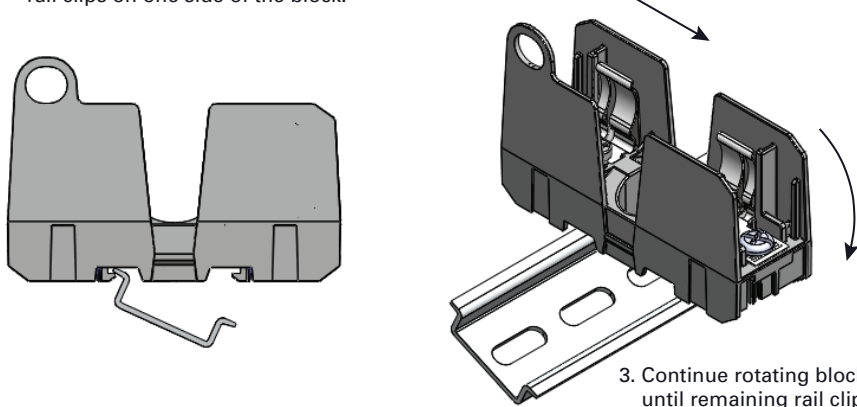


### Installing 30 and 60 amp blocks on a 35mm DIN-Rail

1. Place one edge of DIN-Rail into rail clips on one side of the block.

2. Rotate and push block down to deflect rail clips.

3. Continue rotating block until remaining rail clips snap into place.



The only controlled copy of this data sheet is the electronic read-only version located on the Eaton network drive. All other copies of this document are by definition uncontrolled. This bulletin is intended to clearly present comprehensive product data and provide technical information that will help the end user with design applications. Eaton reserves the right, without notice, to change design or construction of any products and to discontinue or limit distribution of any products. Eaton also reserves the right to change or update, without notice, any technical information contained in this bulletin. Once a product has been selected, it should be tested by the user in all possible applications.

**Eaton**  
1000 Eaton Boulevard  
Cleveland, OH 44122  
Eaton.com

Bussmann Division  
114 Old State Road  
Ellisville, MO 63021  
United States  
Eaton.com/bussmannseries

© 2016 Eaton  
All Rights Reserved  
Printed in USA  
Publication No. 10490 — BU-MC16068  
June 2016

Eaton and Bussmann are valuable trademarks of Eaton in the U.S. and other countries. You are not permitted to use the Eaton trademarks without prior written consent of Eaton.

CSA is a registered trademark of the Canadian Standards Group.  
NEC is a registered trademark of the National Fire Protection Association, Inc.  
UL is a registered trademark of the Underwriters Laboratories, Inc.

For Eaton's Bussmann series product information, call **1-855-287-7626** or visit: **Eaton.com/bussmannseries**

Follow us on social media to get the latest product and support information.

