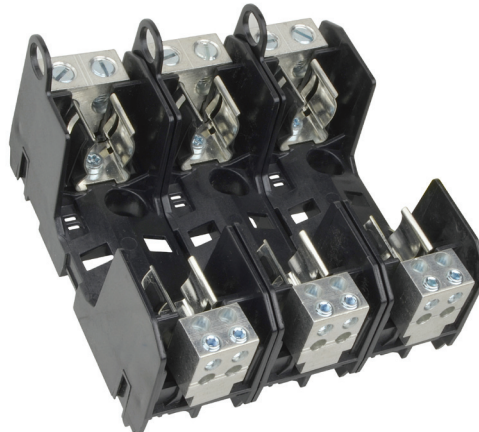


Up to 60 A Class R 250 V and 600 V ferrule power distribution fuse blocks


 RoHS


Features and benefits:

- Combination power distribution block and fuse block reduces wire connections and total panel components, using up to 57 percent less panel space and reducing installation time and labor by an average of 33 percent when compared with traditional fuse block/power distribution block solutions.
- A 200,000 amps withstand rating helps achieve a higher assembly short-circuit current rating (SCCR) for compliance with NEC® sections 110.10, 409.110(4), 409.22, 440.4(B), 670.3(A)(4) and 670.5.
- Optional see-through cover enhances safety with IP20 finger-safe protection, lockout/tagout capability and open circuit indication.
- Available in 1-, 2- and 3-pole configurations to meet stocking requirements.
- To reduce inventory, assembly time and labor, modular single-pole blocks snap-together for tool-less assembly of multiple poles at point of use.
- DIN-Rail and panel mount versatility allows one product to be used for multiple applications without incurring additional inventory cost.

Catalog symbols:

- RM25060-_MW_
- RM60030-_MW_
- RM60060-_MW_

Description:

Bussmann® series 250 V and 600 V Class R fuse block features power distribution capability.

This patented design simplifies panel layouts and uses up to 57 percent less panel space. Additionally, it lowers inventory costs while reducing installation time and labor by an average of 33 percent.

Furthermore, this design uses fewer wire connections, reducing watts loss and overall operating temperature of the panel.



Powering Business Worldwide

Specifications:

Fuse class

- Class R

Ratings

- Volts:
 - 250 V
 - 600 V
- Amps: up to 60 A
- Withstand rating (SCCR): 200 kA Sym RMS

Agency information

- Blocks:
 - UL® Listed E14853 – IZLT
 - CSA® Certified 47235 — 6225-01
- Covers: UL Listed UL E58836 – JDVS
- RoHS compliant

Poles

- 1-, 2-, 3-pole

Flammability ratings

- Blocks: UL 94V0, self-extinguishing
- Covers: UL 94HB, self-extinguishing

Operating and storage temperature range

- Blocks: -40°C to +120°C
- Covers:
 - Non-indicating -40°C to +120°C
 - Indicating -20°C to +90°C

Materials

- Base: Thermoplastic
- Terminals: Tin-plated aluminum

Conductors

- 75°C Cu/Al (unless otherwise noted)

Accessories:

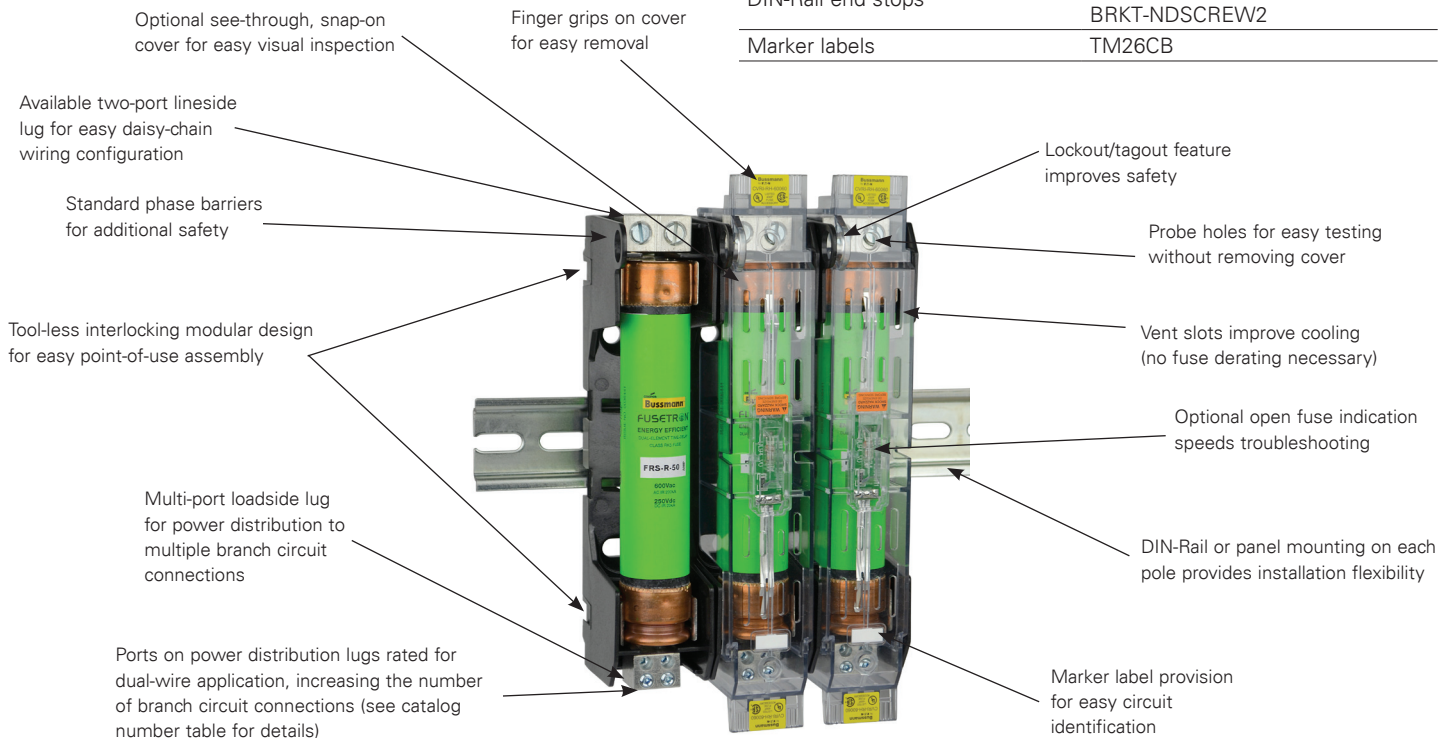
- Optional IP20 finger-safe covers in indicating and non-indicating versions. Order one for each pole.
- Universal marker labels, Bussmann series catalog number TM26CB.
- DIN-Rail end stops, Bussmann series catalog numbers BRKT-ND or BRKT-NDSCREW2.

Recommended fuses (order separately)

Description	Volts	Amps	Data sheet no.
Ultimate protection time-delay Low-Peak™ LPN			1003
Advanced protection fast-acting Limitron™ KTN-R	250 V	up to 60	1043
Advanced protection energy efficient time-delay Fusetron™ FRN-R			1019
Ultimate protection time-delay Low-Peak LPS			1001
Advanced protection fast-acting Limitron KTS-R	600 V	up to 60	1044
Advanced protection energy efficient time-delay Fusetron FRS-R			1017

Recommended accessories:

Description	Catalog no.
DIN-Rail end stops	BRKT-ND BRKT-NDSCREW2
Marker labels	TM26CB



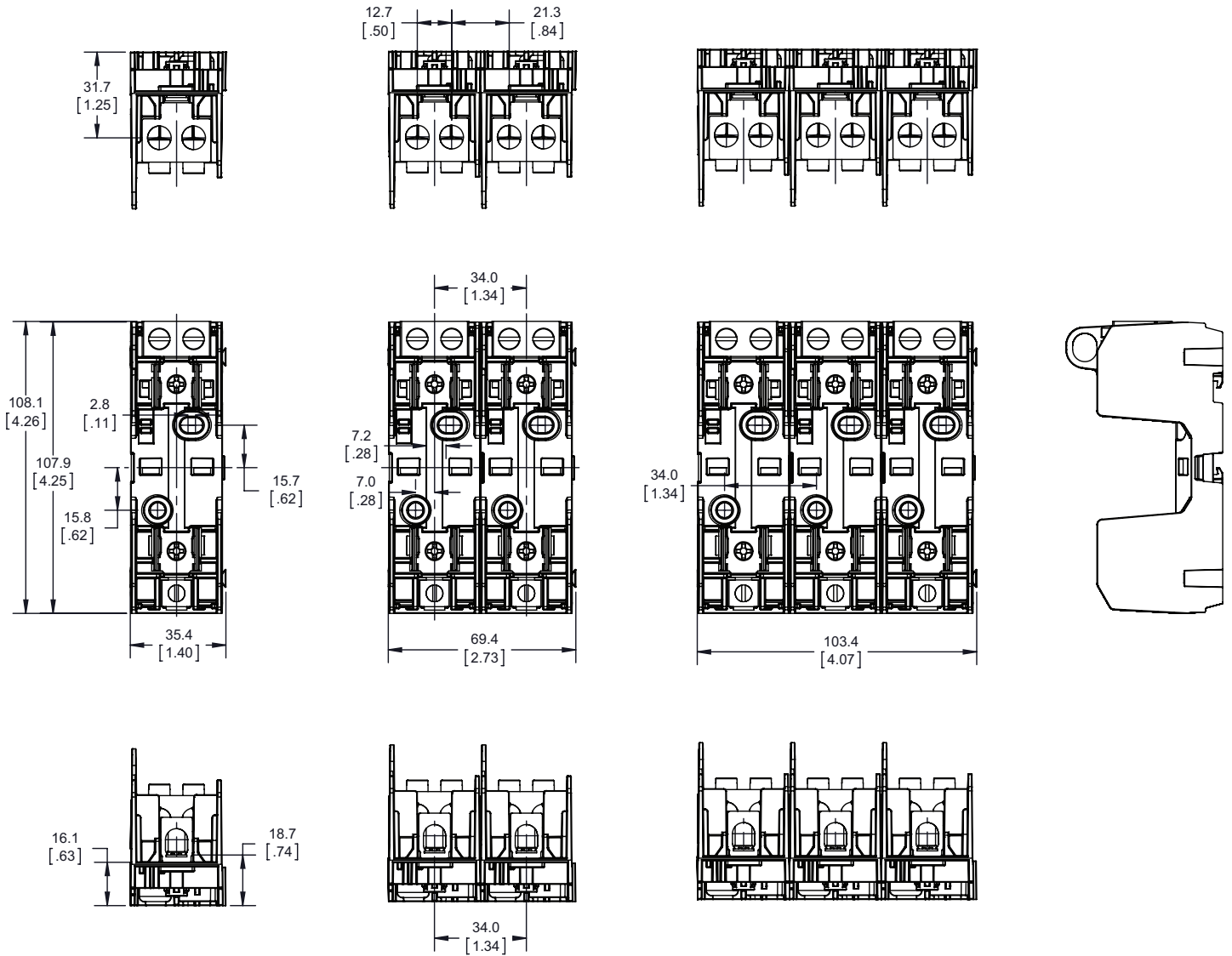
Catalog numbers:

Catalog no.	Optional covers*	Fuse amp range	Poles	Lineside (conductors per port)			Loadside (conductors per port)				
				Conductors	Ports/pole	Torque AWG	N·m (lb-in)	Conductors	Ports/pole	Torque AWG	N·m (lb-in)
250 Volts											
RM25060-1MW12	N/A		1		2-4	5.6 (50)			2-3	5.6 (50)	
RM25060-2MW12			2	Cu 2-14 Al 2-8	2	6-10	4.5 (40)	Cu 2-14 Al 2-8	1	4-6	5.1 (45)
RM25060-3MW12			3			12-14	1.7 (15)			8	4.5 (40)
									10-14	4.0 (35)	
RM25060-1MW14	CVR-RH-25060 CVRI-RH-25060**	35 - 60	1		2-3	5.6 (50)			Cu (1) 8	3.4 (30)	
RM25060-2MW14			2	Cu 2-14 Al 2-8	1	4-6	5.1 (45)	Cu (1) 8-14 Cu (2) 12-14***	4	Cu (1) 10-14	2.8 (25)
RM25060-3MW14			3			8	4.5 (40)	Al (1) 8 Str Al (1) 10 Sol		Cu (2) 12-14	3.4 (30)
									10-14	4.0 (35)	
RM25060-1MW24†	N/A		1		2-4	5.6 (50)			Cu (1) 8	3.4 (30)	
RM25060-2MW24†			2	Cu 2-14 Al 2-8	2	6-10	4.5 (40)	Cu (1) 8-14 Cu (2) 12-14***	4	Cu (1) 10-14	2.8 (25)
RM25060-3MW24†			3			12-14	1.7 (15)	Al (1) 8 Str Al (1) 10 Sol		Cu (2) 12-14	3.4 (30)
									Al (1) 8-10	3.4 (30)	
600 Volts											
RM60030-1MW14†	N/A	up to 30	1		2-3	5.6 (50)			Cu (1) 8	3.4 (30)	
RM60030-2MW14†			2	Cu 2-14 Al 2-8	1	4-6	5.1 (45)	Cu (1) 8-14 Cu (2) 12-14***	4	Cu (1) 10-14	2.8 (25)
RM60030-3MW14†			3			8	4.5 (40)	Al (1) 8 Str Al (1) 10 Sol		Cu (2) 12-14	3.4 (30)
									10-14	4.0 (35)	
RM60060-1MW12			1		2-4	5.6 (50)			2-3	5.6 (50)	
RM60060-2MW12			2	Cu 2-14 Al 2-8	2	6-10	4.5 (40)	Cu 2-14 Al 2-8	1	4-6	5.1 (45)
RM60060-3MW12			3			12-14	1.7 (15)			8	4.5 (40)
									10-14	4.0 (35)	
RM60060-1MW14	CVR-RH-60060 CVRI-RH-60060**	35-60	1		2-3	5.6 (50)			Cu (1) 8	3.4 (30)	
RM60060-2MW14			2	Cu 2-14 Al 2-8	1	4-6	5.1 (45)	Cu (1) 8-14 Cu (2) 12-14***	4	Cu (1) 10-14	2.8 (25)
RM60060-3MW14			3			8	4.5 (40)	Al (1) 8 Str Al (1) 10 Sol		Cu (2) 12-14	3.4 (30)
									10-14	4.0 (35)	
RM60060-1MW24†			1		2-4	5.6 (50)			Cu (1) 8	3.4 (30)	
RM60060-2MW24†			2	Cu 2-14 Al 2-8	2	6-10	4.5 (40)	Cu (1) 8-14 Cu (2) 12-14***	4	Cu (1) 10-14	2.8 (25)
RM60060-3MW24†			3			12-14	1.7 (15)	Al (1) 8 Str Al (1) 10 Sol		Cu (2) 12-14	3.4 (30)
									Al (1) 8-10	3.4 (30)	

* Order one cover per pole.
 ** With open fuse indication. 90 V minimum and closed circuit required for illumination.
 *** Dual wire rated lugs with same wire size and stranding.
 † Rated for use with 75°C/90°C Cu/Al conductors.

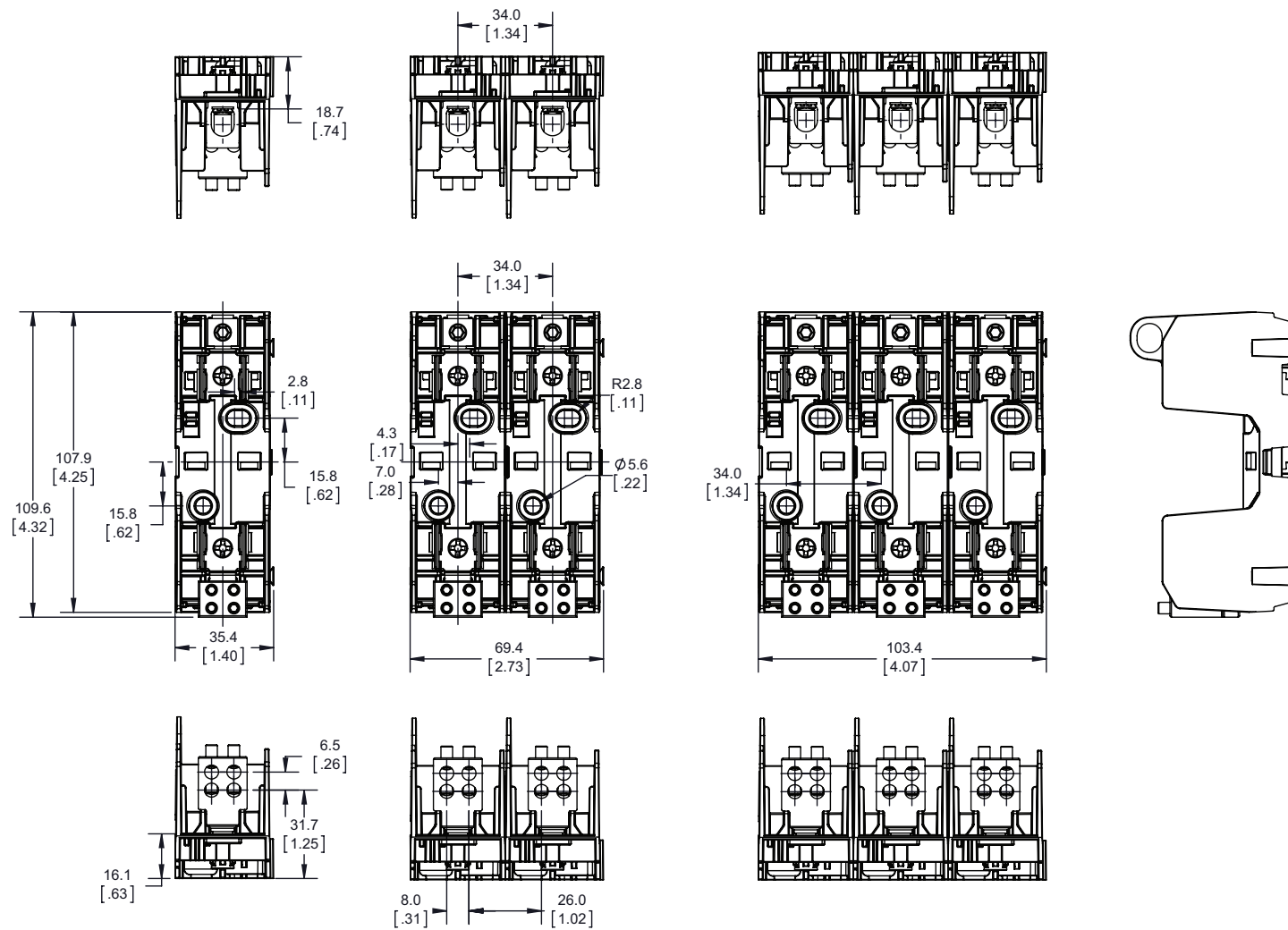
250 V, 60 A dimensions — mm (in)

Catalog nos. RM25060-(poles)MW12 — Two ports in, one port out (covers not available)

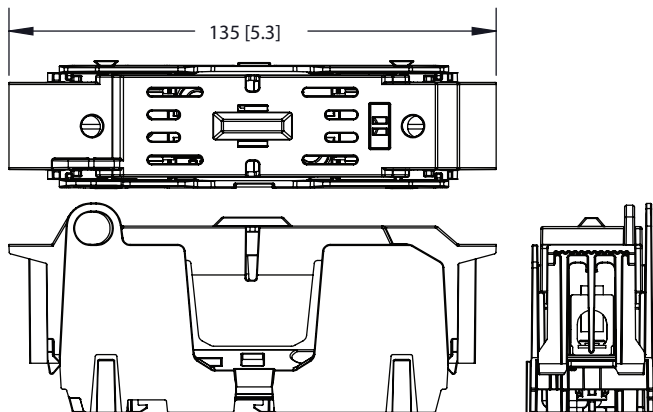


250 V, 60 A dimensions — mm (in)

Catalog nos. RM25060-(poles)MW14 — One port in, four ports out

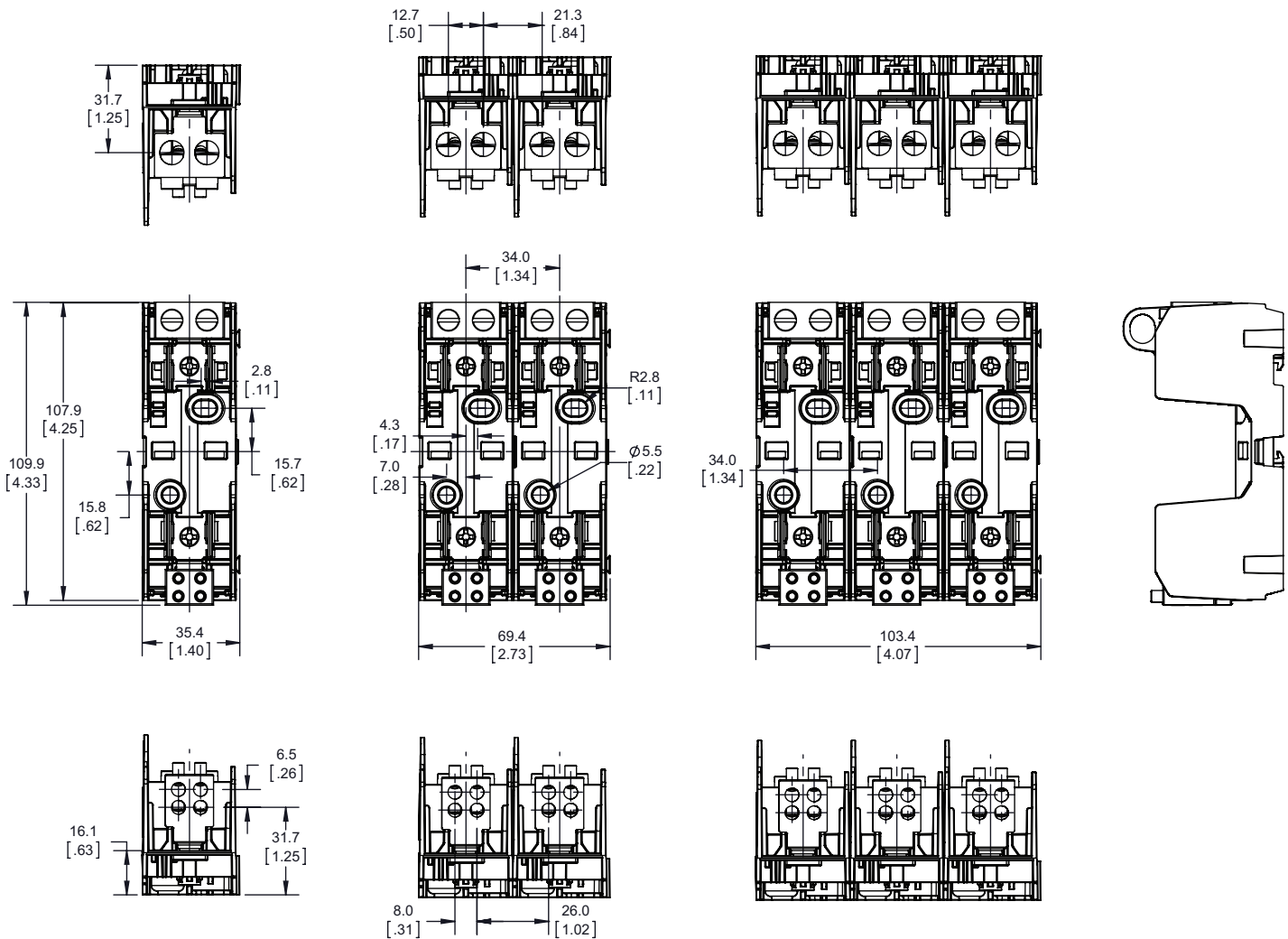


With optional cover, see catalog number table on page three for available versions



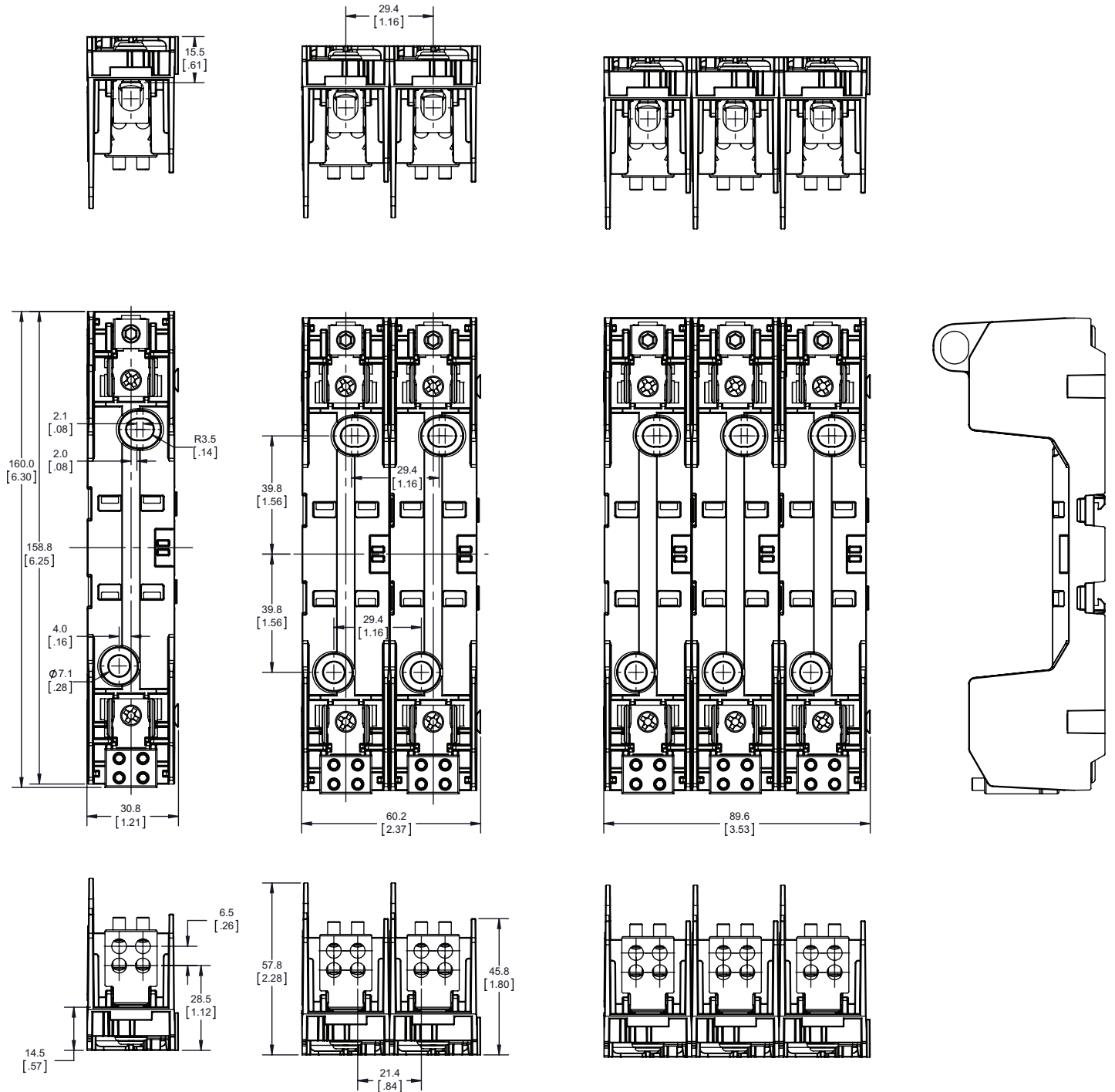
250 V, 60 A dimensions — mm (in)

Catalog nos. RM25060-(poles)MW24 — Two ports in, four ports out (covers not available)



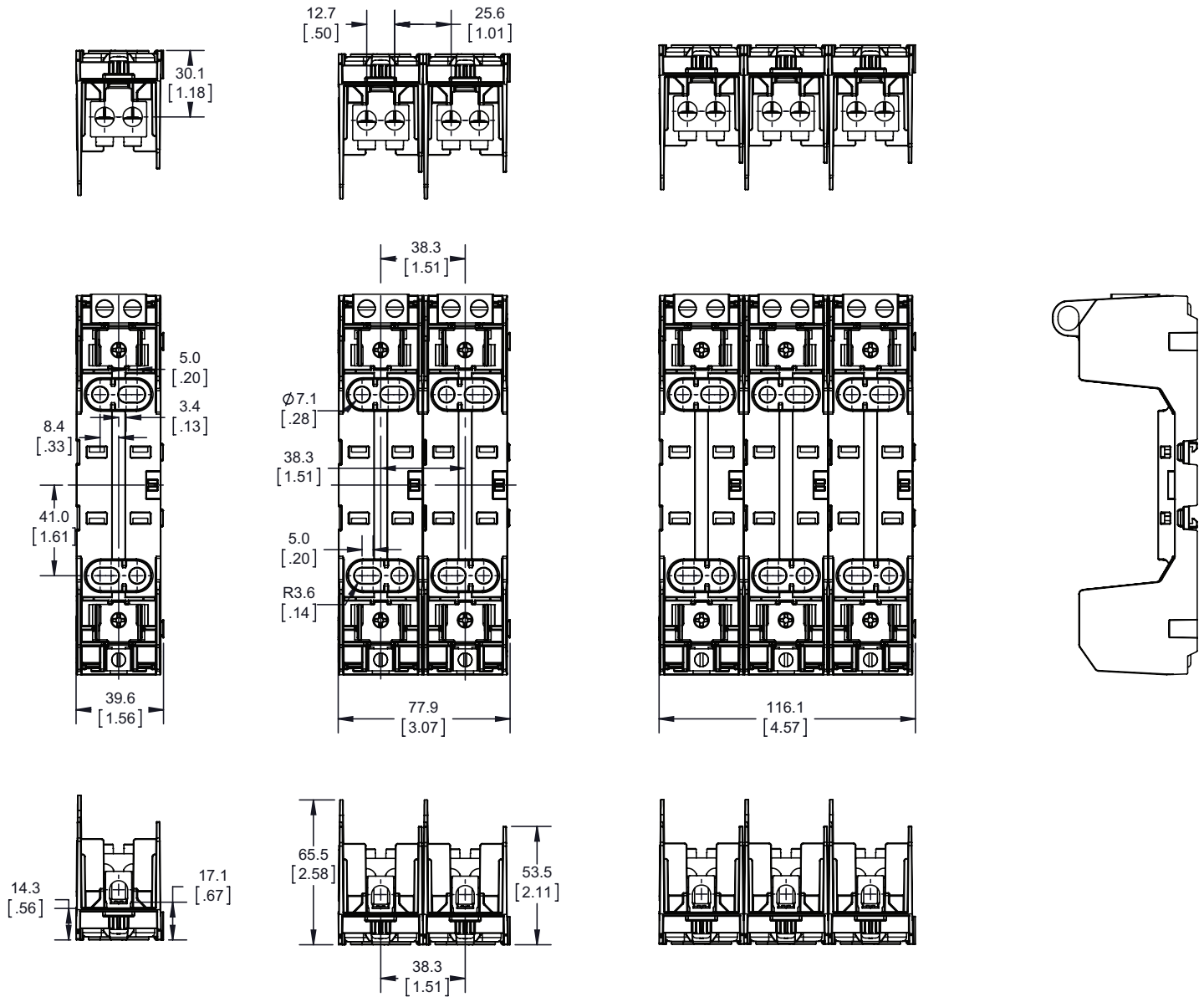
600 V, 30 A dimensions — mm (in)

Catalog nos. RM60030-(poles)MW14 — One port in, four ports out (covers not available)

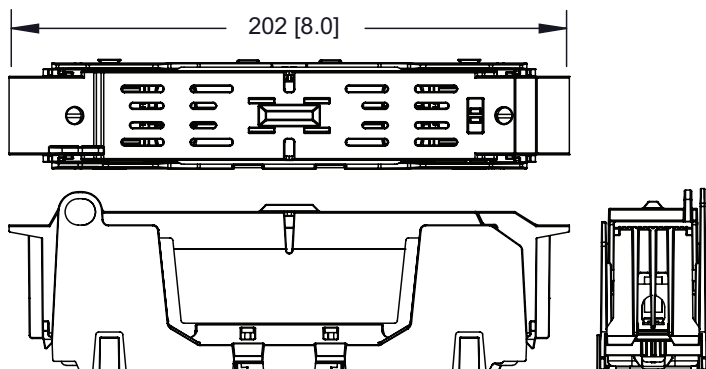


600 V, 60 A dimensions — mm (in)

Catalog nos. RM60060-(poles)/MW12 — Two ports in, one port out

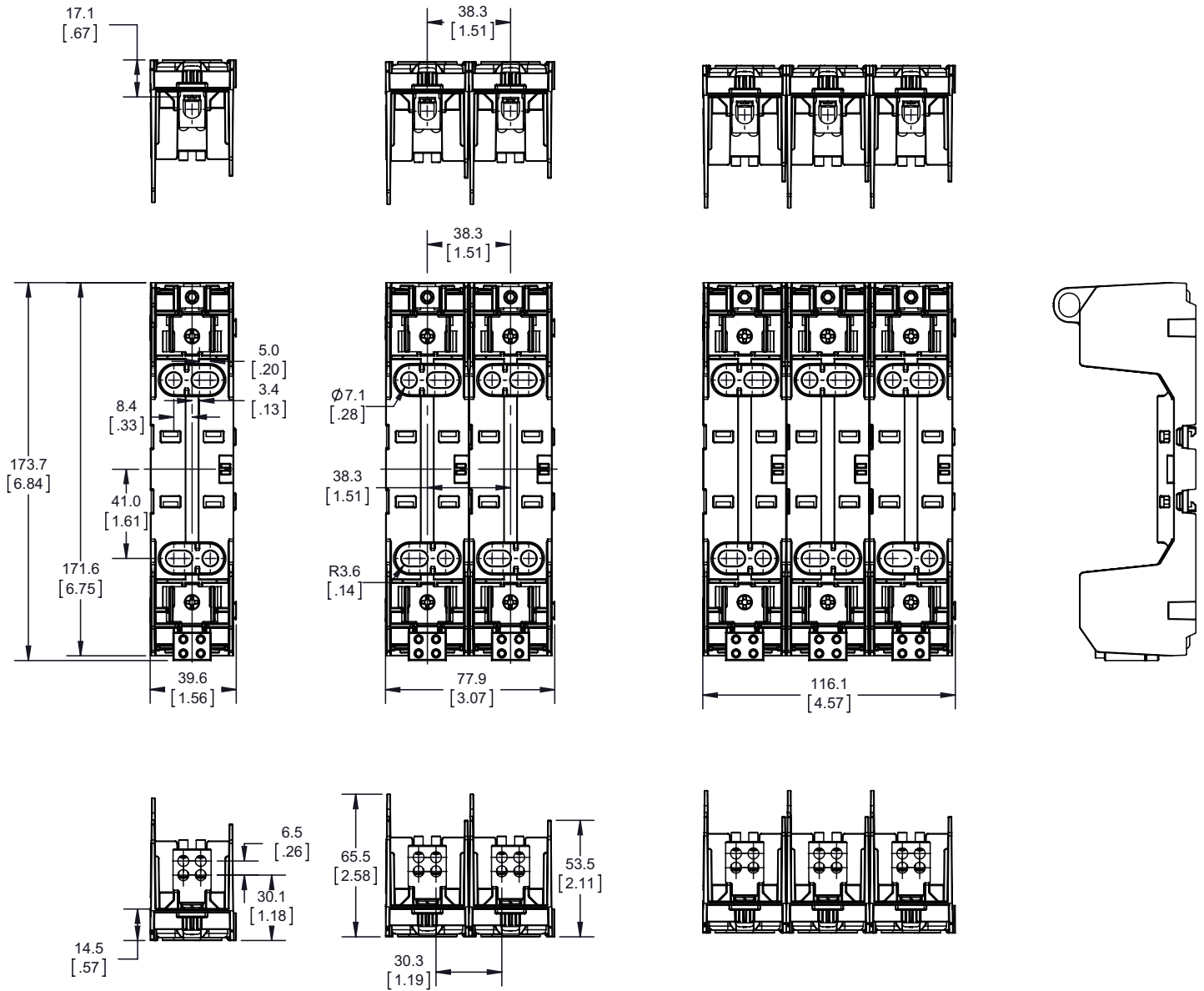


With optional cover, see catalog number table on page three for available versions

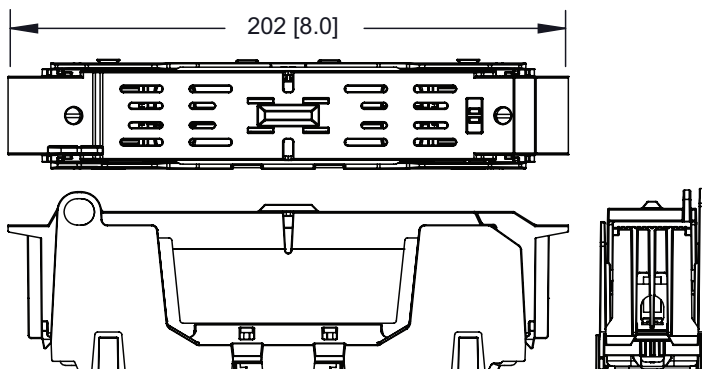


600 V, 60 A dimensions — mm (in)

Catalog nos. RM60060-(poles)MW14 — One port in, four ports out

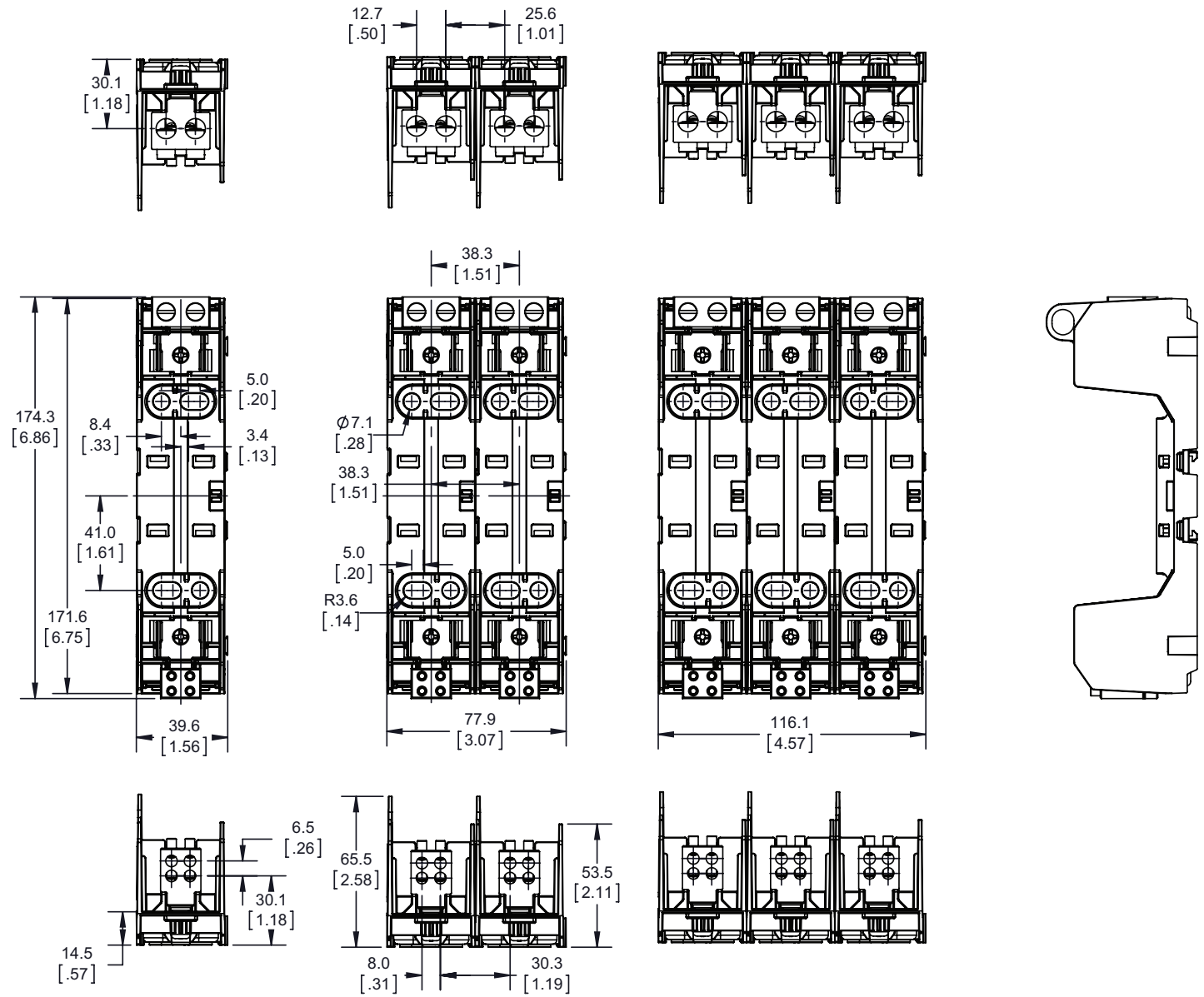


With optional cover, see catalog number table on page three for available versions

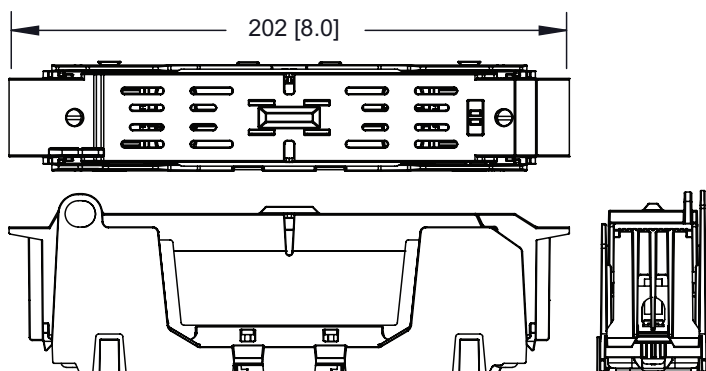


Dimensions — 600 V, 60 A mm (in)

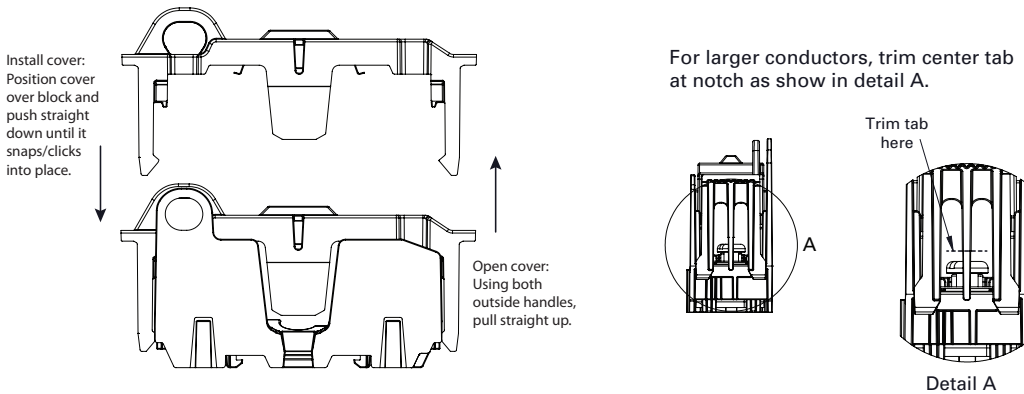
Catalog nos. RM60060-(poles)MW24 — Two ports in, four ports out



With optional cover, see catalog number table on page three for available versions



Installing/removing covers on 30 and 60 amp blocks

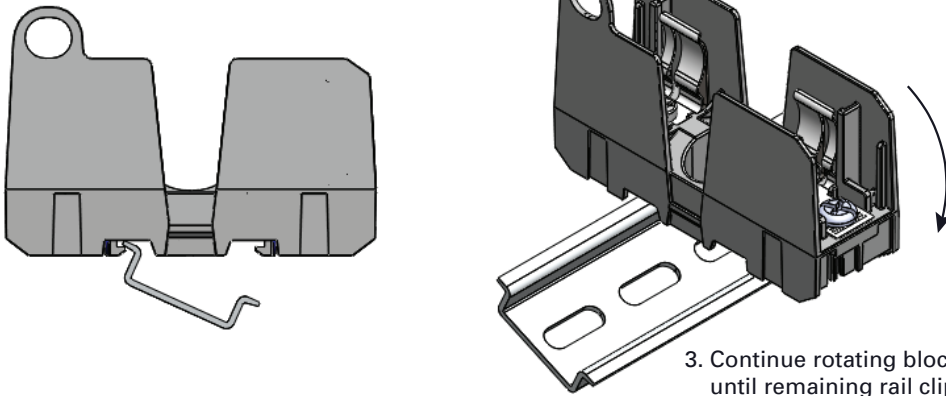


Installing 30 and 60 amp blocks on a 35mm DIN-Rail

1. Place one edge of DIN-Rail into rail clips on one side of the block.

2. Rotate and push block down to deflect rail clips.

3. Continue rotating block until remaining rail clips snap into place.



The only controlled copy of this data sheet is the electronic read-only version located on the Eaton network drive. All other copies of this document are by definition uncontrolled. This bulletin is intended to clearly present comprehensive product data and provide technical information that will help the end user with design applications. Eaton reserves the right, without notice, to change design or construction of any products and to discontinue or limit distribution of any products. Eaton also reserves the right to change or update, without notice, any technical information contained in this bulletin. Once a product has been selected, it should be tested by the user in all possible applications.

Eaton
1000 Eaton Boulevard
Cleveland, OH 44122
Eaton.com

Bussmann Division
114 Old State Road
Ellisville, MO 63021
United States
Eaton.com/bussmannseries

© 2016 Eaton
All Rights Reserved
Printed in USA
Publication No. 10491 — BU-MC16069
June 2016

Eaton, Bussmann, Low-Peak, Fusetron and Limitron are valuable trademarks of Eaton in the U.S. and other countries. You are not permitted to use the Eaton trademarks without prior written consent of Eaton.

CSA is a registered trademark of the Canadian Standards Group.
NEC is a registered trademark of the National Fire Protection Association, Inc.
UL is a registered trademark of the Underwriters Laboratories, Inc.

For Eaton's Bussmann series product information, call **1-855-287-7626** or visit: **Eaton.com/bussmannseries**

Follow us on social media to get the latest product and support information.

