

## Size 1\* Square Body Fuse Links

### 4000Vdc, 20A to 125A, 170E Series

**Description:** A range of square body high speed traction fuse link which provides superior protection in DC traction applications up to 4000Vdc

**Technical Data:**

Rated Voltage: 4000Vdc  
 Rated Current: 20-125A  
 Tested Breaking Capacity:  
 50kA at 4000Vdc, L/R 10ms

**Class of Operation:** aR

**Fuse Link Size:** 1\*

**Standards/Approvals:** Consult Cooper Bussmann



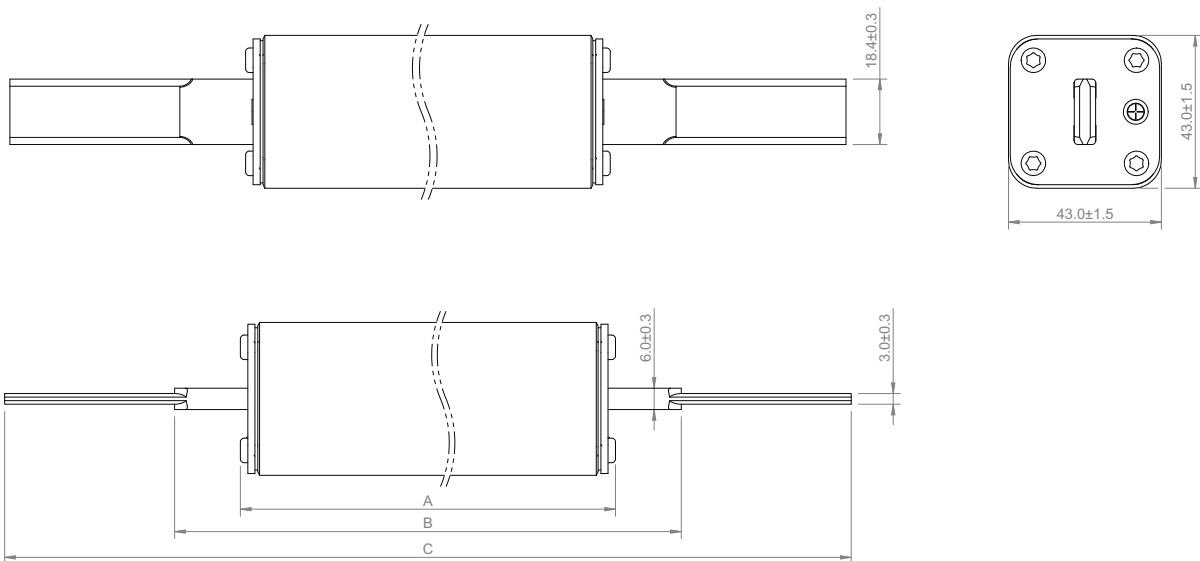
**Typical Applications**

- Auxiliary converters
- Lights
- Power distribution converter

**Catalogue Numbers**

Catalogue Number	Fuse Link Size	Operating Class	Rated Voltage (Vdc)	Rated Current (Amps)	Watts Loss (W)
					$I_n$
170E3924	1*	aR	4000	20	23
170E3925				25	28
170E3926				32	34
170E3927				40	45
170E3928				50	57
170E3929				63	72
170E3930				80	91
170E3931				100	114
170E3932				125	143

**Dimensions - mm**



A	B	C
363 ± 4.2	398.5 ± 5	493.5 ± 5.2

**Data Sheets:** 170K6600

## Size 1\*, 2 and 22 Square Body Fuse Links 4000Vdc, 20A to 450A, 170E Series

**Description:** A range of square body high speed traction fuse link which provides superior protection in DC traction applications up to 4000Vdc

**Technical Data:**

Rated Voltage: 4000Vdc

Rated Current: 20-450A

Rated Breaking Capacity:

60kA at 4000Vdc, L/R 25ms

Class of Operation: aR

Fuse Link Size: 1\*, 2 and 22

Standards/Approvals: Consult Cooper Bussmann

**Microswitch (optional):** 170H3036, Type K indicator 6.3 x 0.8mm lugs, low operating voltage.

**Features and Product Benefit**

- High breaking capacity

**Typical Applications**

- Auxiliary converters
- Lights
- Power distribution converter

**Catalogue Numbers**

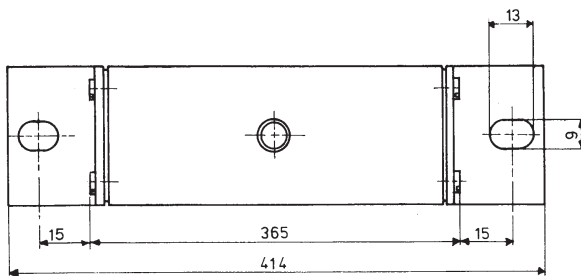
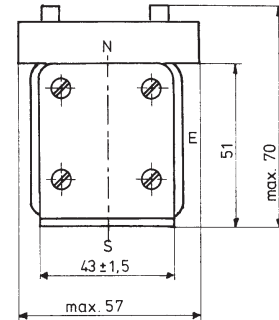
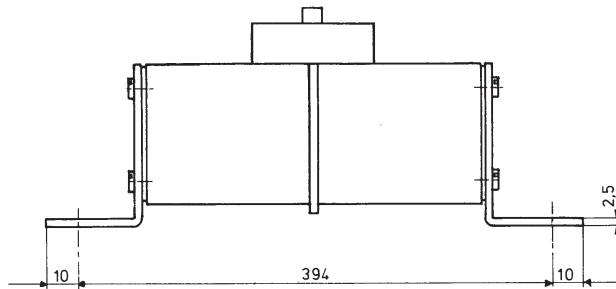
Catalogue Number	Fuse Link Size	Operating Class	Rated Voltage (Vdc)	Rated Current (Amps)	Watts Loss (W)
					I <sub>n</sub>
170E3914	1*	aR	4000	20	23
170E3915				25	28
170E3916				32	34
170E3917				40	45
170E3918				50	57
170E3919				63	72
170E3984				80	91
170E3933				100	114
170E3922				125	143
170E8882				2	aR
170E8883	200	228			
170E8884	250	285			
170E8885	Double 2	aR	4000	315	360
170E8886				350	400
170E8887				400	455
170E8888				450	515

Data Sheets: 1\* 170K6600, 2 & 2/2 170K6604

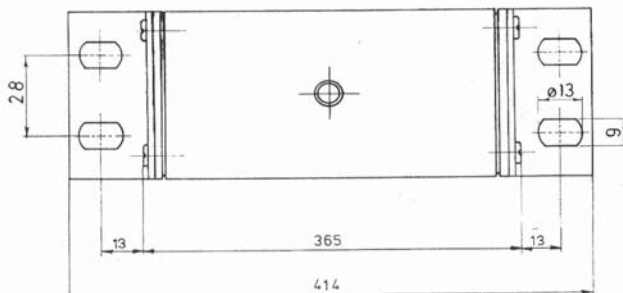
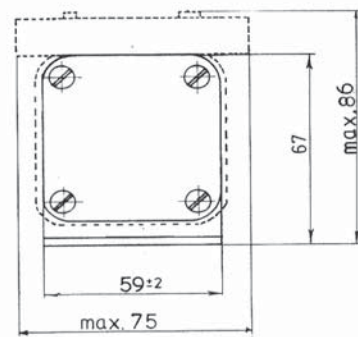
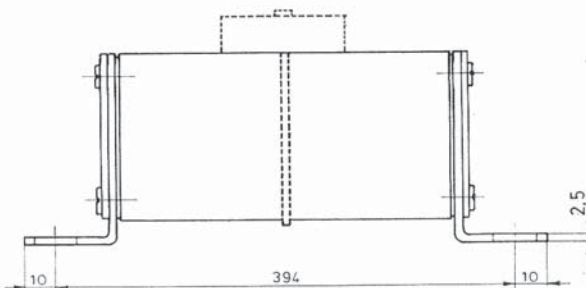
## Size 1\*, 2 and 22 Square Body Fuse Links 4000Vdc, 20A to 450A, 170E Series

Dimensions - mm

Type 1\*SKN/394



Type 2SKN/394



Data Sheets: 1\* 170K6600, 2 & 2/2 170K6604

## Size 1\*, 2 and 22 Square Body Fuse Links 4000Vdc, 20A to 450A, 170E Series

Dimensions - mm

Type 2//SKN/394

