

AX6 1500Vdc gPV FUSE



FEATURES

- Reliable clearing of DC fault currents
- High cycling performance
- Low watt losses
- Ultra-compact size and power density
- Breaking Capacity: 10 kA @ 1500 Vdc
- Time constants: 1-3ms
- Operation as low as 200% I_n overload protection
- Full coverage of battery module current
- QR code marks on each fuse for traceability

DESCRIPTION

Adler AX6 series PV fuses are engineered and manufactured for use in combiner box and power storage protection, made from the highest quality materials and tested to the highest standards. With rated currents from 80A to 200A with a breaking capacity of 10kA.

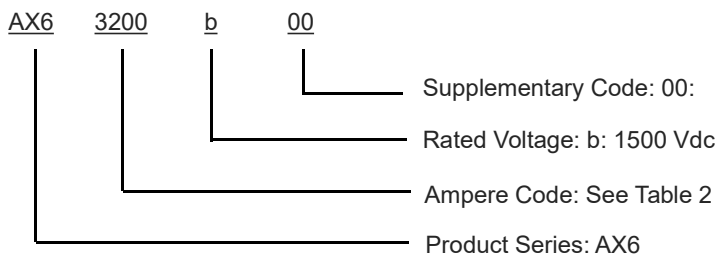
AGENCY INFORMATION

- Standard: UL 248-19, IEC 60269-6
- Manufactured under IATF 16949 quality system
- RoHS and REACH Compliant

APPLICATIONS

- Designed to IEC 60269-6, UL 248-19
- Manufactured under IATF 16949 quality system
- RoHS and REACH Compliant

PART NUMBERING SYSTEM



DIMENSIONS (mm)

AX6xxxxb00

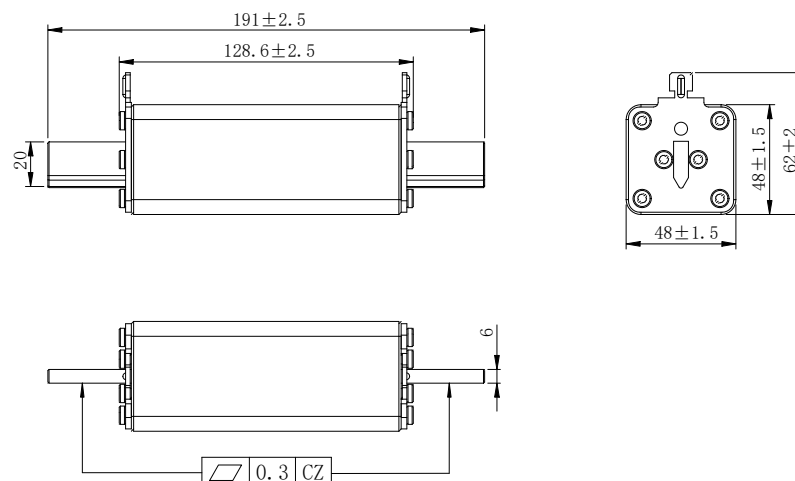


Table1
Packing information

Fuse Size	Box specifications (mm)	Packing quantity / per container	Weight / PCS (g)	Fuse base
AX6xxxxb00	410×215×160	10pcs	860±3%	BH1XL

Table2
ELCTRICAL SPECIFICATIONS

CASE SIZE	Part Number	RATED CURRENT	Ampere	Rated	BREAKING CAPACITY	Pre-Arcing I ² t (A ² s)	Total I ² t (A ² s)	Watt Loss (W)		Certifications
			Code	Voltage				0.7 I _n	1.0 I _n	
AX6	AX62800b00	80A	2800	1500Vdc	10kA	1000	4000	9	22	○
	AX63100b00	100A	3100	1500Vdc		1300	6200	11	24	●
	AX63125b00	125A	3125	1500Vdc		2050	9500	12	27	●
	AX63160b00	160A	3160	1500Vdc		4400	21100	15	33	●
	AX63200b00	200A	3200	1500Vdc		9600	46100	16	37	●

UL File: E490190

Operating conditions:

Where the following conditions apply, fuses complying with this standard are deemed capable of operating satisfactorily without further qualification.

- Normal temperature: -5°C ~ 40°C, permissible operating temperature: -40°C-90°C.
- The altitude of the site of installation of the fuses should not exceed 2000 m above sea level and permissible altitude site of installation does not exceed 5000m.
- The air should be clean and its relative humidity does not exceed 50 % at the maximum temperature of 40°C.
- Higher relative humidity's are permitted at lower temperatures, e.g., 90 % at 20°C.
- Pollution grade III
- Under these conditions, moderate condensation may occasionally occur due to variation in temperature.
- For operating conditions other that above, please contact the manufacturer.

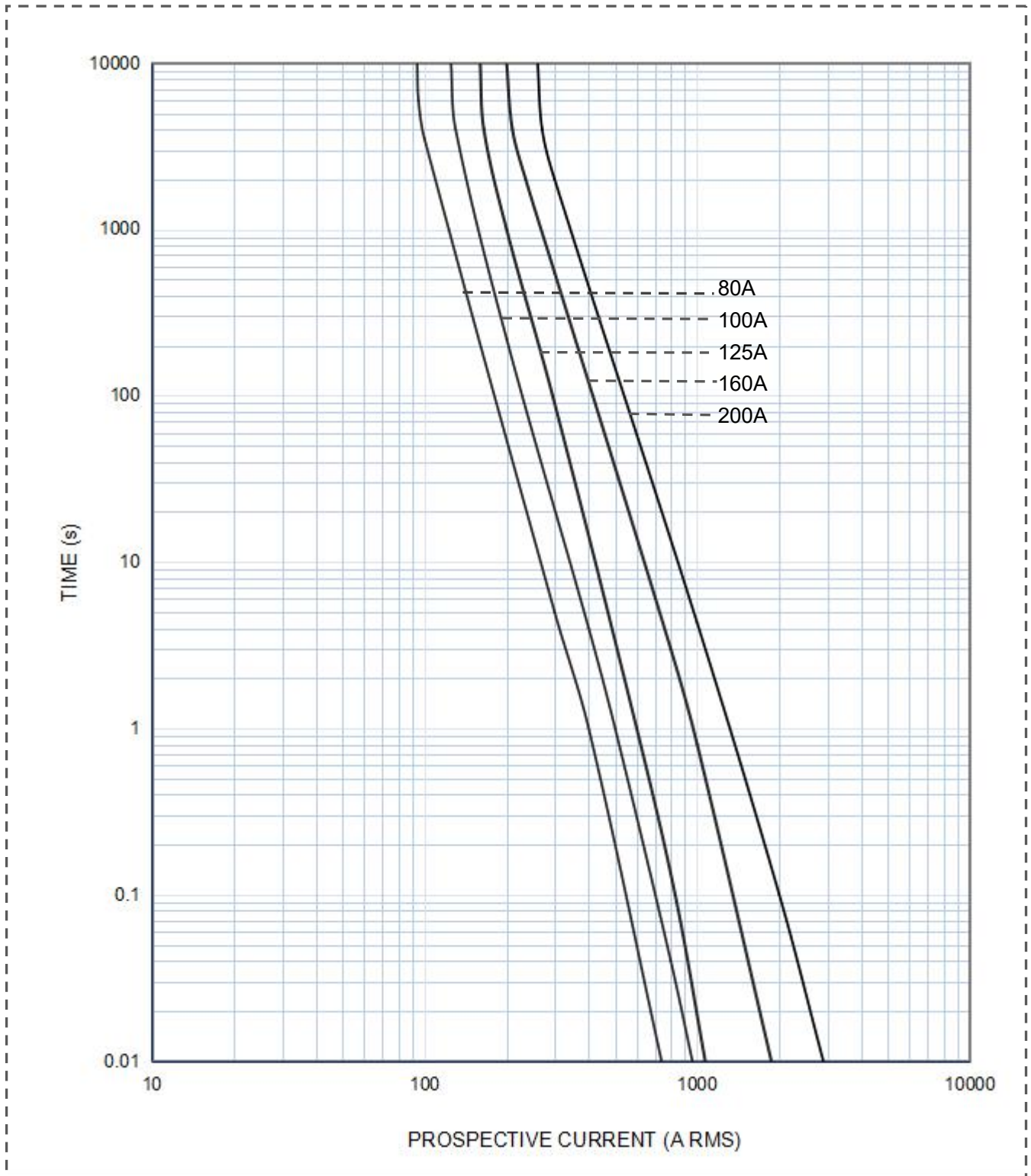
Storage:

During transportation and storage, customer should avoid water seepage and mechanical damage.



adler®

TIME CURRENT CURVE

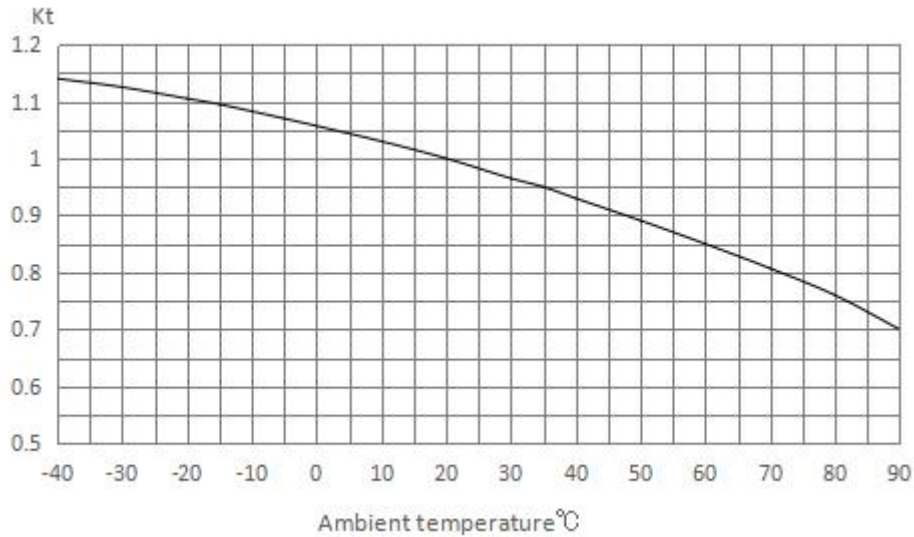




adler®

TEMPERATURE CORRECTION CURVE

When the fuse is operating below -5°C or above 40°C , the rated current needs additional modification. The correction factor is K_t .



WEB RESOURCES

Download the latest technical documents: www.adlerelectric.com. Specifications are subject to change without notice.