

# MEGA® BOLT-DOWN FUSE BLOCK



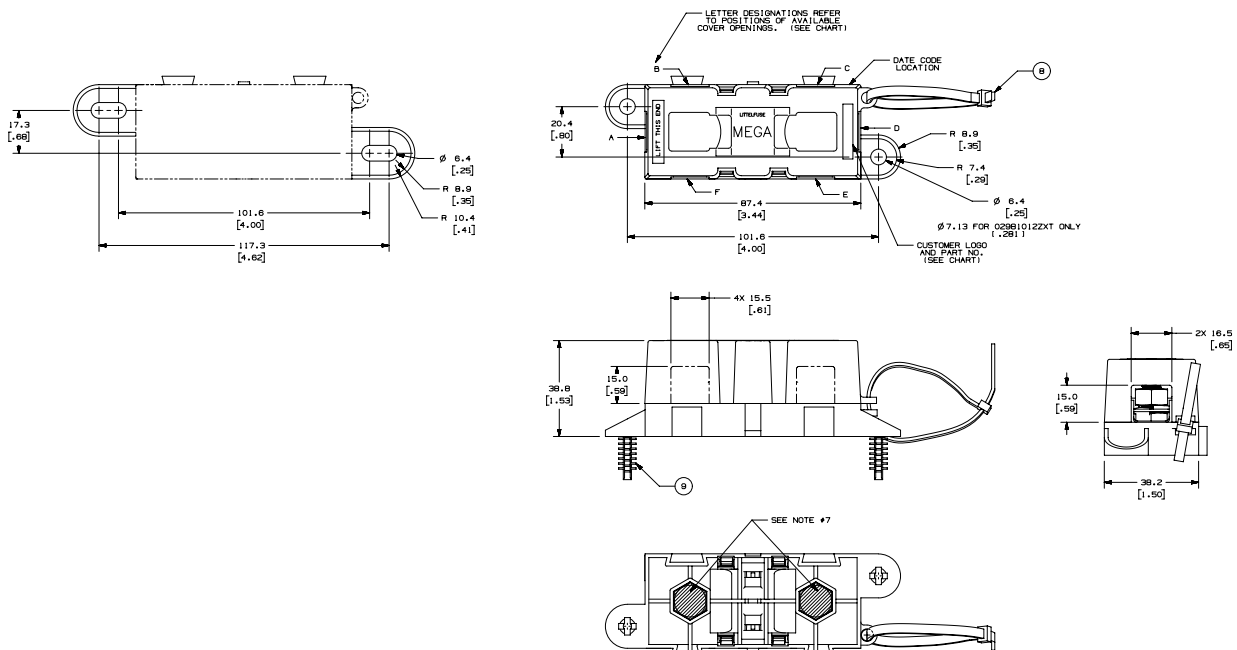
## Description

Use with MEGA® fuses up to 500 amps. Ideal for battery and alternator connections and other heavy gauge cables requiring ultra high current protection. Includes protective cover. Features interconnecting pins on side of fuse block for secure multiple block configurations. Includes M8 threaded studs and hex nuts with lock washers. Fuse not included.

## Features and Benefits

- Interlocking pins for connecting multiple blocks to fit your application.
- Includes M8 hex nuts and lock washers
- Uses MEGA fuses for protection between 40A and 500A.

## Dimensions in millimeters



## Specifications Overview

|                           |                            |
|---------------------------|----------------------------|
| <b>Max Fuse Rating:</b>   | 500A                       |
| <b>Voltage:</b>           | 32V                        |
| <b>Mounting Torque:</b>   | 5 Nm                       |
| <b>Studs:</b>             | M8 threaded                |
| <b>Included Hardware:</b> | Hex nuts with lock washers |

## Applications

- Body Builders
- Medium Duty Vehicles

## Web Resources

Download 2D print and technical resources at:  
[littelfuse.com/298](http://littelfuse.com/298)

## Ordering Information

| PART NUMBER | QUANTITY | VOLTAGE | AMPERAGE |
|-------------|----------|---------|----------|
| 02981001ZXT | Bulk 160 | 32V DC  | 500A     |
| 02980900Z   | Bulk 70  | 32V DC  | 500A     |
| 02980900S   | Bulk 20  | 32V DC  | 500A     |
| 02980900TXN | Bulk 10  | 32V DC  | 500A     |

See Page 2 for Additional Configurations and Part Numbers

## Ordering Information

| PART NUMBER  | BULK QUANTITY | MAX AMPERAGE | POLES | BASE STYLE | COVER OPENINGS                     | FUSE INCLUDED         | HEX NUT                 | TETHER | RACHET FASTENER |
|--------------|---------------|--------------|-------|------------|------------------------------------|-----------------------|-------------------------|--------|-----------------|
| 02980900S    | 20            | 500          | 1     | 1          | A & D                              | –                     | M8                      | Yes    | No              |
| 02980900TXN  | 10            | 500          | 1     | 1          | A & D                              | –                     | M8                      | Yes    | No              |
| 02980900Z    | 70            | 500          | 1     | 1          | A & D                              | –                     | M8                      | Yes    | No              |
| 02981001ZXSS | 100           | 500          | 1     | 1          | A & D                              | –                     | M8                      | Yes    | No              |
| 02981001ZXZT | 160           | 500          | 1     | 1          | A & D                              | –                     | M8                      | Yes    | No              |
| 02981002ZXSS | 100           | 500          | 1     | 2          | A & D                              | –                     | M8                      | Yes    | No              |
| 02981002ZXZT | 140           | 500          | 1     | 2          | A & D                              | –                     | M8                      | Yes    | No              |
| 02981003ZXZT | 160           | 500          | 1     | 1          | A, B, C, D, E, F                   | –                     | M8                      | Yes    | No              |
| 02981004ZXZT | 160           | 500          | 1     | 1          | A, C, F                            | 175                   | None                    | Yes    | No              |
| 02981005ZXZT | 160           | 500          | 1     | 1          | A, C, D, E                         | –                     | M8                      | Yes    | No              |
| 02981006ZXZT | 160           | 500          | 1     | 1          | A, B, C, D, E, F                   | 175                   | M6 w/ Flange            | No     | Yes             |
| 02981007ZXZT | 140           | 500          | 1     | 2          | A, E                               | 200                   | M8                      | No     | No              |
| 02981008ZXZT | 140           | 500          | 1     | 2          | A, D, E                            | 200                   | M8                      | No     | No              |
| 02981010ZXZT | 160           | 500          | 1     | 1          | A, C, D, E                         | 450                   | M8                      | Yes    | No              |
| 02981011ZXZT | 160           | 500          | 1     | 2          | C, E, F                            | 450                   | M8 Locknut w/ Flange    | Yes    | No              |
| 02981012ZXZT | 160           | 500          | 1     | 1          | B, C, E, F                         | –                     | M8                      | Yes    | No              |
| 02981013ZXZT | 160           | 500          | 1     | 1          | B, C                               | 175                   | M6 w/ Flange            | No     | Yes             |
| 02981014ZXZT | 160           | 500          | 1     | 1          | A, D                               | 100                   | None                    | Yes    | No              |
| 02981015ZXZT | 140           | 500          | 1     | 2          | A, C, E                            | 200                   | M8                      | No     | No              |
| 02981017ZXZT | 160           | 500          | 1     | 1          | A, B, C, D, E, F                   | 250                   | M6 w/ Flange            | No     | No              |
| 02981018ZXZT | 160           | 500          | 1     | 1          | A & D                              | 400                   | M8 Locknut w/ Flange    | Yes    | Yes             |
| 02981019ZXZT | 140           | 500          | 1     | 2          | B, C, F                            | –                     | None                    | Yes    | No              |
| 02981022ZXZT | 160           | 500          | 1     | 1          | A, B, C, D                         | –                     | M8                      | Yes    | No              |
| 02981024ZXZT | 160           | 500          | 1     | 1          | D, F                               | –                     | M8                      | Yes    | No              |
| 02981025ZXZT | 160           | 500          | 1     | 2          | B, C                               | 150                   | None                    | Yes    | No              |
| 02981026ZXZT | 140           | 500          | 1     | 2          | E, F                               | 150                   | M8 Locknut w/ Flange    | Yes    | No              |
| 02981027ZXZT | 140           | 500          | 1     | 2          | B, E                               | 500                   | None                    | Yes    | No              |
| 02981030ZXZT | 160           | 500          | 1     | 1          | B, C                               | –                     | M8                      | Yes    | Yes             |
| 02981034ZXZT | 160           | 500          | 1     | 1          | E, F                               | –                     | M8                      | Yes    | No              |
| 02981035ZXZT | 160           | 500          | 1     | 2          | B, E                               | 100                   | M8 w/ Flange            | Yes    | No              |
| 02981036ZXZT | 140           | 500          | 1     | 2          | A, B, C, D, E, F                   | –                     | None                    | No     | No              |
| 02981039ZXZT | –             | 500          | 1     | 2          | A, B, C, D, E, F                   | –                     | None                    | Yes    | No              |
| 02981040ZXZT | –             | 500          | 1     | 2          | B, C, D                            | 500                   | None                    | No     | No              |
| 02982002ZXZT | 60            | 500          | 2     | 1          | A, C, F / A, B, C, E               | 175 / 175             | 1x M8                   | Yes    | No              |
| 02982003ZXZT | 60            | 500          | 2     | 1          | D, E, F / A, D                     | 100 / 175             | 1x M8 Locknut w/ Flange | Yes    | No              |
| 02982004ZXZT | 60            | 500          | 2     | 1          | A, B / B, C, F                     | 175 / open            | 1x M8 Locknut w/ Flange | Yes    | No              |
| 02982006ZXZT | 60            | 500          | 2     | 2          | C, F / B, D, E                     | 250 / 450             | 3x M8 w/ Flange         | Yes    | No              |
| 02982007ZXZT | 60            | 500          | 2     | 2          | C, F / B, D, E                     | 250 / 300             | 3x M8 Locknut w/ Flange | Yes    | No              |
| 02982008ZXZT | 60            | 500          | 2     | 2          | C, F / B, D, E                     | 250 / 400             | 3x M8 w/ Flange         | Yes    | No              |
| 02982009ZXZT | 60            | 500          | 2     | 2          | A, C / B, D, E                     | 250 / 250             | 4x M8 w/ Flange         | Yes    | No              |
| 02982011ZXZT | 60            | 500          | 2     | 2          | C, E, F / B, C, E                  | 350 / 450             | 1x M8 w/ Flange         | Yes    | No              |
| 02983000ZXZT | 40            | 500          | 3     | 1          | A, E / A, C, E / A, C, E           | 150 / 100 / 150       | 2x M8                   | Yes    | No              |
| 02983002ZXZT | 40            | 500          | 3     | 2          | A, C, E / A, C, E / A, C           | 50 / 175 / 175        | 2X M8 Locknut w/ Flange | Yes    | No              |
| 02983003ZXZT | 40            | 500          | 3     | 2          | A, E / A, C, E / A, C, E           | 175 / 175 / 400       | 3X M8 Locknut w/ Flange | Yes    | No              |
| 02983004ZXZT | 40            | 500          | 3     | 2          | B, E / A, C, E / C, E, F           | 100 / 225 / 450       | 3X M8 Locknut w/ Flange | Yes    | No              |
| 02983005ZXZT | 40            | 500          | 3     | 2          | B, E / A, C, D, E / C, F           | 250 / 250 / 400       | 5X M8 w/ Flange         | Yes    | No              |
| 02983006ZXZT | 40            | 500          | 3     | 2          | B, E / A, C, D, E / C, F           | 250 / 250 / 450       | 5X M8 w/ Flange         | Yes    | No              |
| 02984000ZXZT | –             | 500          | 4     | 1          | A, E / A, C, E / A, C, E / A, C, E | 150 / 100 / 150 / 100 | 3x M8                   | Yes    | No              |