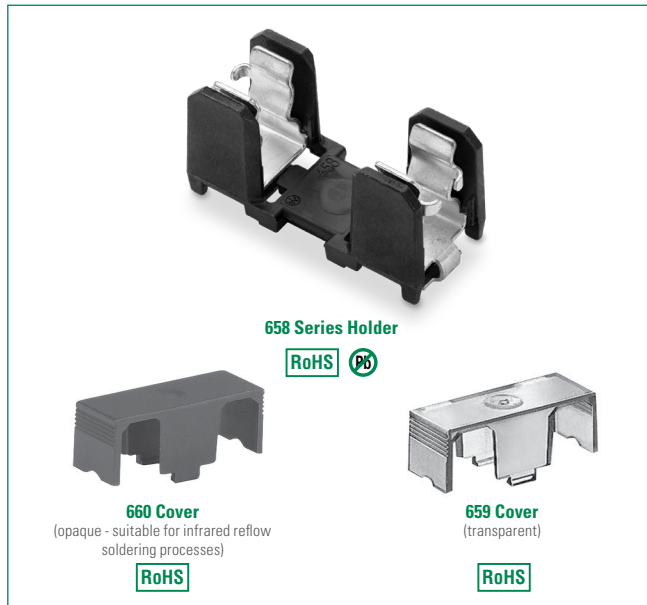


# 658 Series

## Molded Base Surface Mount Fuse Block For 5x20mm



### Product Characteristics

<b>Compatible Fuse</b>	<b>5x20 mm</b>
<b>Materials</b>	<b>Clip Frame:</b> 65800x01xxx: UL94 V-0 Black Thermoplastic 65800x03xxx: UL94 V-0 Black LCP
	<b>Clip Terminals:</b> 65800x01xxx: Tin (Sn) plated copper alloy 65800x03xxx: Tin (Sn) plated copper alloy
<b>Electrical Data</b>	<b>Rated Voltage:</b> 500 Vac (VDE); 500 Vac/dc (UL/CSA)
	<b>Rated Current:</b> UL (30 A) VDE (10 A) <b>Rated Power Acceptance</b> (at ambient air temp 23 °C): - 4 W without cover - 4 W with 660 cover - 2.5 W with 659 cover
<b>Mounting</b>	SMT. Reflow soldering
<b>Operating Temperature</b>	-40 °C to +85 °C
<b>Stock Conditions</b>	0 °C to +60 °C, max 70% Relative humidity
<b>Vibration Resistance</b>	According to IEC 60068-2-6, test Fc
<b>Contact Resistance</b>	< 5 mΩ at 20 mV
<b>Dielectric Strength</b>	> 3 kV, 50 Hz, 1 min.
<b>Impulse Withstand Voltage</b>	> 4 kV between L-N
<b>Insulation Resistance</b>	(500 V DC/1 min): >10 MΩ
<b>Solderability</b>	245 - 260 °C / max. 30 sec. acc. to JEDEC J-STD-020D JEDEC J-STD-020C:
<b>Soldering Profile</b>	- 65800x01xxx: 245(+0/-5)°C / 30 sec max. - 65800x03xxx: 260(+0/-5)°C / 30 sec max.

Note: If used with covers, refer to [Fuseology](#) for information on proper fuse block re-rating.

### Additional Information



Resources  
658 Series



Accessories  
658 Series



Samples  
658 Series



Resources  
659 Series



Accessories  
659 Series



Samples  
659 Series



Resources  
660 Series



Accessories  
660 Series



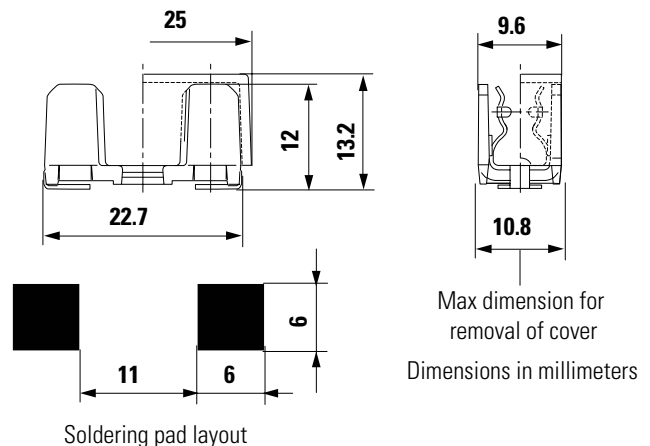
Samples  
660 Series

### Agency Approval

Agency	Agency File Number
	40056151
	E70164*

\*See Ordering Info

### Dimensions



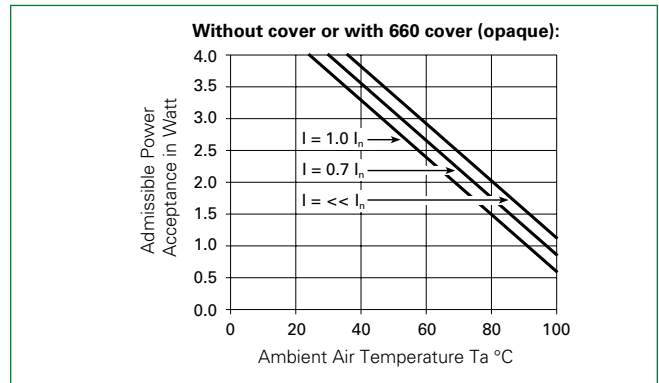
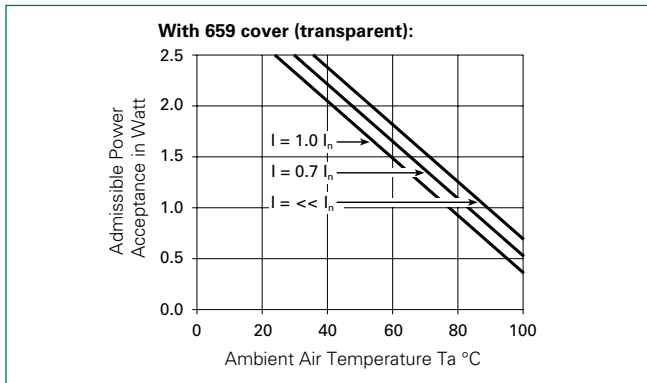
# 658 Series

## Molded Base Surface Mount Fuse Block For 5x20mm

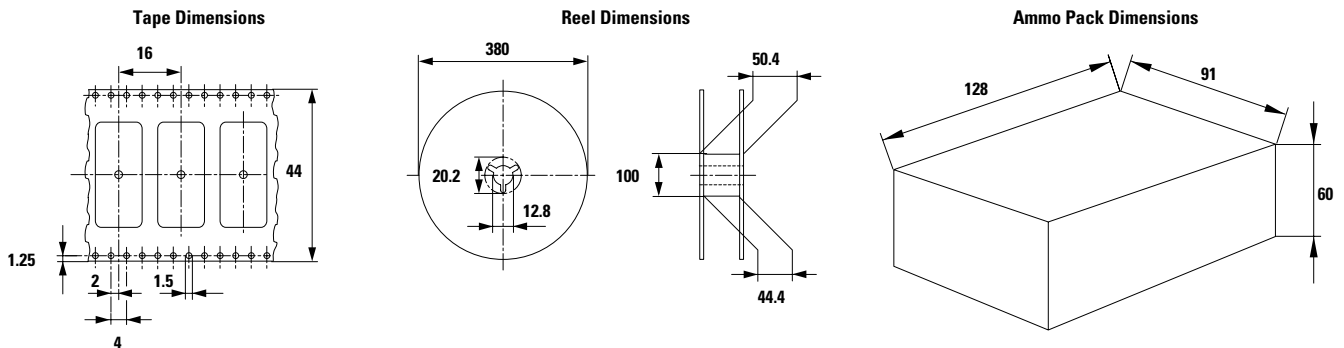
### Ordering Information

Part Number	Description	Packaging	Pieces	UL	VDE
65800001009	ACS 5X20MM SMD FUSE BLOCK 16 AMP.THERMO	Bulk Pack	100	16A	10A
65800201009	ACS 5X20MM SMD FUSE BLOCK 20 AMP.THERMO	Bulk Pack	100	20A	N/A
65800301009	ACS 5X20MM SMD FUSE BLOCK 30 AMP.THERMO	Bulk Pack	100	30A	N/A
65800001109	ACS 5X20MM SMD FUSE BLOCK 16 AMP.THERMO	Tape & Reel	400	16A	10A
65800201109	ACS 5X20MM SMD FUSE BLOCK 20 AMP.THERMO	Tape & Reel	400	20A	N/A
65800301109	ACS 5X20MM SMD FUSE BLOCK 30 AMP.THERMO	Tape & Reel	400	30A	N/A
65800003009	ACS 5X20MM SMD FUSE BLOCK 16 AMP.LCP	Bulk Pack	100	16A	10A
65800203009	ACS 5X20MM SMD FUSE BLOCK 20 AMP.LCP	Bulk Pack	100	20A	N/A
65800303009	ACS 5X20MM SMD FUSE BLOCK 30 AMP.LCP	Bulk Pack	100	30A	N/A
65800003109	ACS 5X20MM SMD FUSE BLOCK 16 AMP.LCP	Tape & Reel	400	16A	10A
65800203109	ACS 5X20MM SMD FUSE BLOCK 20 AMP.LCP	Tape & Reel	400	20A	N/A
65800303109	ACS 5X20MM SMD FUSE BLOCK 30 AMP.LCP	Tape & Reel	400	30A	N/A
65900000009	Fuse Holder Cover - Transparent plastic	Bulk Pack	100	N/A	N/A
66000000009	Fuse Holder Cover - Opaque plastic, suitable for infrared (IR) reflow soldering process	Bulk Pack	100	N/A	N/A

### Re-Rating Curves



### Packaging Dimensions (millimeter)



**Disclaimer Notice** - Information furnished is believed to be accurate and reliable. However, users should independently evaluate the suitability of and test each product selected for their own applications. Littelfuse products are not designed for, and may not be used in, all applications. Read complete Disclaimer Notice at: [www.littelfuse.com/disclaimer-electronics](http://www.littelfuse.com/disclaimer-electronics).