



MCASE+™ Cartridge Fuses

MCASE+™ Cartridge Fuses Rated 32V

The Unslotted MCASE+™ Fuse is a cartridge style fuse up to 40A with female terminals for 2.8 mm male terminals. The Slotted MCASE+™ Fuse is available in amperages up to 60A and can mate with larger male terminals (e.g., 6.3mm) or even mount directly to onto a busbar. It has a miniaturized footprint for optimal usage of space. It is a time delayed fuse and can handle inrush currents.

Specifications

Voltage Rating:	32 VDC
Interrupting Ratings:	1000A @ 32 VDC
Operating Temperature Range:	-40°C to +125°C
Housing Material:	PPA-GF33
Cover Material:	PA66
Fuse Insertion Force:	50N (11.2lbf) Typical
Extraction Force:	4N Min. (0.9 lb). 24.5N Max. (5.5 lb)
Conforms to:	SAE 2741 and ISO 8820-4 in reference to electrical, mechanical and environmental performance requirements

Ordering Information

Part Number	Package Size
0695xxx.PXPS Slotted	2000
0695xxx.PXP Unslotted	2000

Time-Current Characteristics

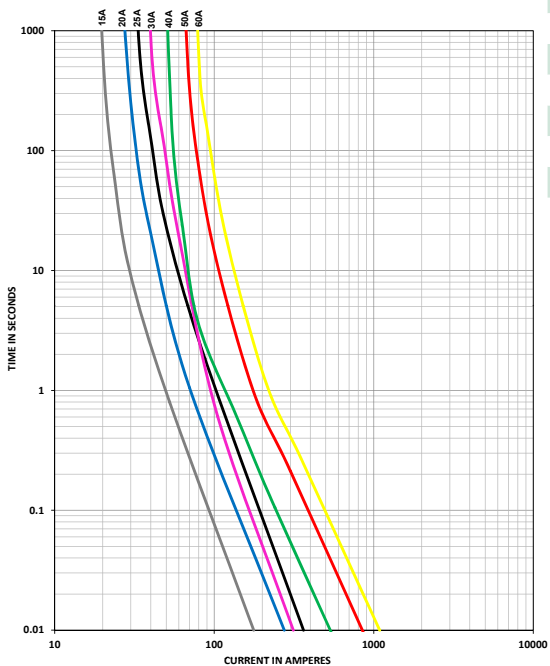
% of Rating	Opening Time Min / Max
110	100hrs / -
135	60s / 1800s
200	2s / 60s
350	0.2s / 7s
600	0.04s / 1s

Ratings

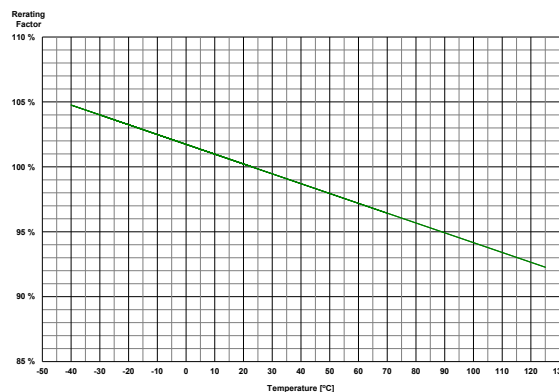
Part Number	Type	Current Rating* (A)	Housing Material Color	Max. Voltage Drop (mV)	Cold Resistance (mΩ)	I ² t (A ² s)
0695015.PXP	Unslotted	15	Grey	125	5.1	310
0695020.PXP	Unslotted	20	Blue	125	3.4	750
0695025.PXP	Unslotted	25	Orange	125	2.5	1300
0695030.PXP	Unslotted	30	Pink	120	1.8	970
0695040.PXP	Unslotted	40	Green	120	1	1550
0695015.PXPS	Slotted	15	Grey	125	5.1	310
0695020.PXPS	Slotted	20	Blue	125	3.4	750
0695025.PXPS	Slotted	25	Orange	125	2.5	1300
0695030.PXPS	Slotted	30	Pink	120	1.8	970
0695040.PXPS	Slotted	40	Green	120	1.1	1550
0695050.PXPS	Slotted	50	Red	120	0.8	4000
0695060.PXPS	Slotted	60	Yellow	120	0.6	8500

* The performance of the male terminal is critical to ensuring the fuse will function as designed. The current-carrying capability of the mating terminal must be verified to ensure proper system operation.

Time-Current Characteristic Curves



Temperature Rerating Curve



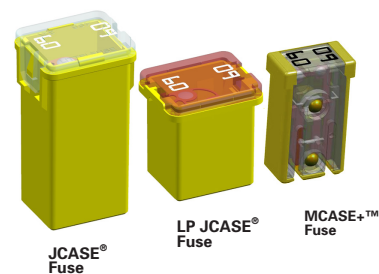
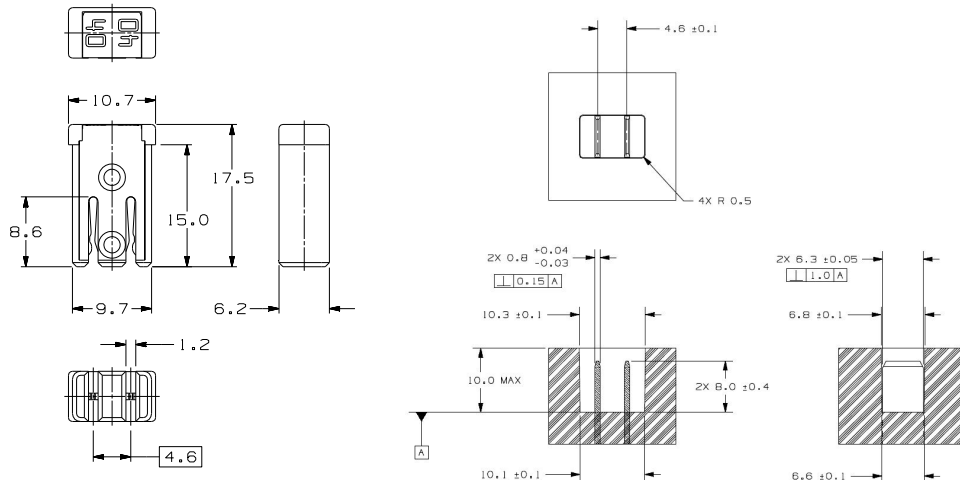
Littelfuse products are not designed for, and shall not be used for, any purpose (including, without limitation, automotive, military, aerospace, medical, life-saving, life-sustaining or nuclear facility applications, devices intended for surgical implant into the body, or any other application in which the failure or lack of desired operation of the product may result in personal injury, death, or property damage) other than those expressly set forth in applicable Littelfuse product documentation. Warranties granted by Littelfuse shall be deemed void for products used for any purpose not expressly set forth in applicable Littelfuse documentation. Littelfuse shall not be liable for any claims or damages arising out of products used in applications not expressly intended by Littelfuse as set forth in applicable Littelfuse documentation. The sale and use of Littelfuse products is subject to Littelfuse Terms and Conditions of Sale, unless otherwise agreed by Littelfuse.

MCASE+™ Cartridge Fuses Rated 32V

Dimensions

Dimensions in mm

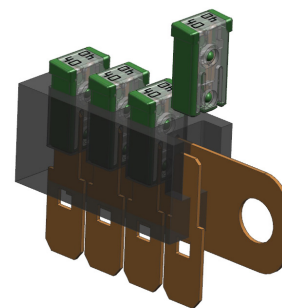
Slotted



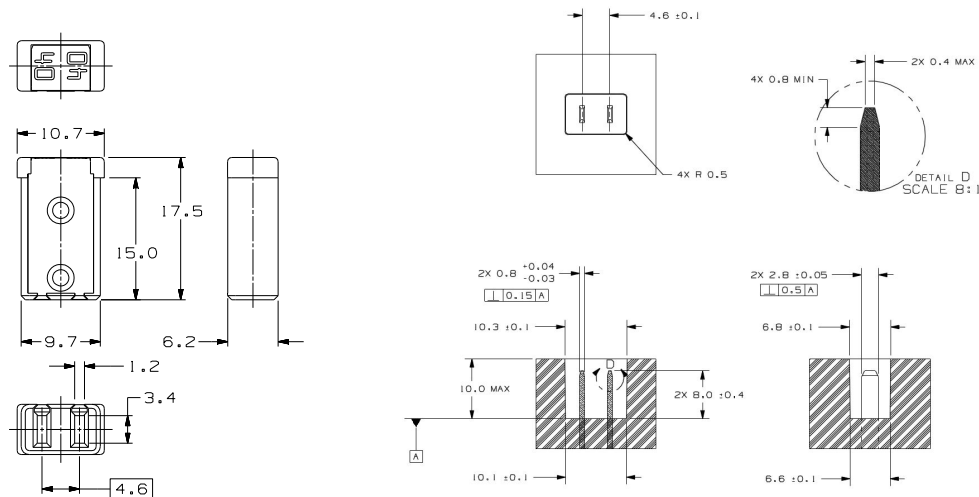
JCASE® Fuse

LP JCASE® Fuse

MCASE+™ Fuse



Unslotted



Littelfuse products are not designed for, and shall not be used for, any purpose (including, without limitation, automotive, military, aerospace, medical, life-saving, life-sustaining or nuclear facility applications, devices intended for surgical implant into the body, or any other application in which the failure or lack of desired operation of the product may result in personal injury, death, or property damage) other than those expressly set forth in applicable Littelfuse product documentation. Warranties granted by Littelfuse shall be deemed void for products used for any purpose not expressly set forth in applicable Littelfuse documentation. Littelfuse shall not be liable for any claims or damages arising out of products used in applications not expressly intended by Littelfuse as set forth in applicable Littelfuse documentation. The sale and use of Littelfuse products is subject to Littelfuse Terms and Conditions of Sale, unless otherwise agreed by Littelfuse.