

D02 gG 20A/400V



Specifications

| | |
|---------------------------|---|
| ETI Code | 002212001 |
| Description | D02 gG 20A/400V |
| Weight | 12 |
| Level | Fuse links gG |
| Product group | D0 low voltage Fuses |
| Characteristics | gL/gG (cable protection/equipment protection) |
| Rated AC voltage (V) | 400 |
| Rated current (A) | 20 |
| Type | D0 |
| Size | D02 |
| Breaking capacity AC (kA) | 50 |
| Breaking capacity DC (kA) | 8 |
| Rated DC voltage (V) | 250 |
| Dimensions | E18 |
| Indicator | visual top |

Online product page 

Other documentation



EU declaration

Technical data catalogue

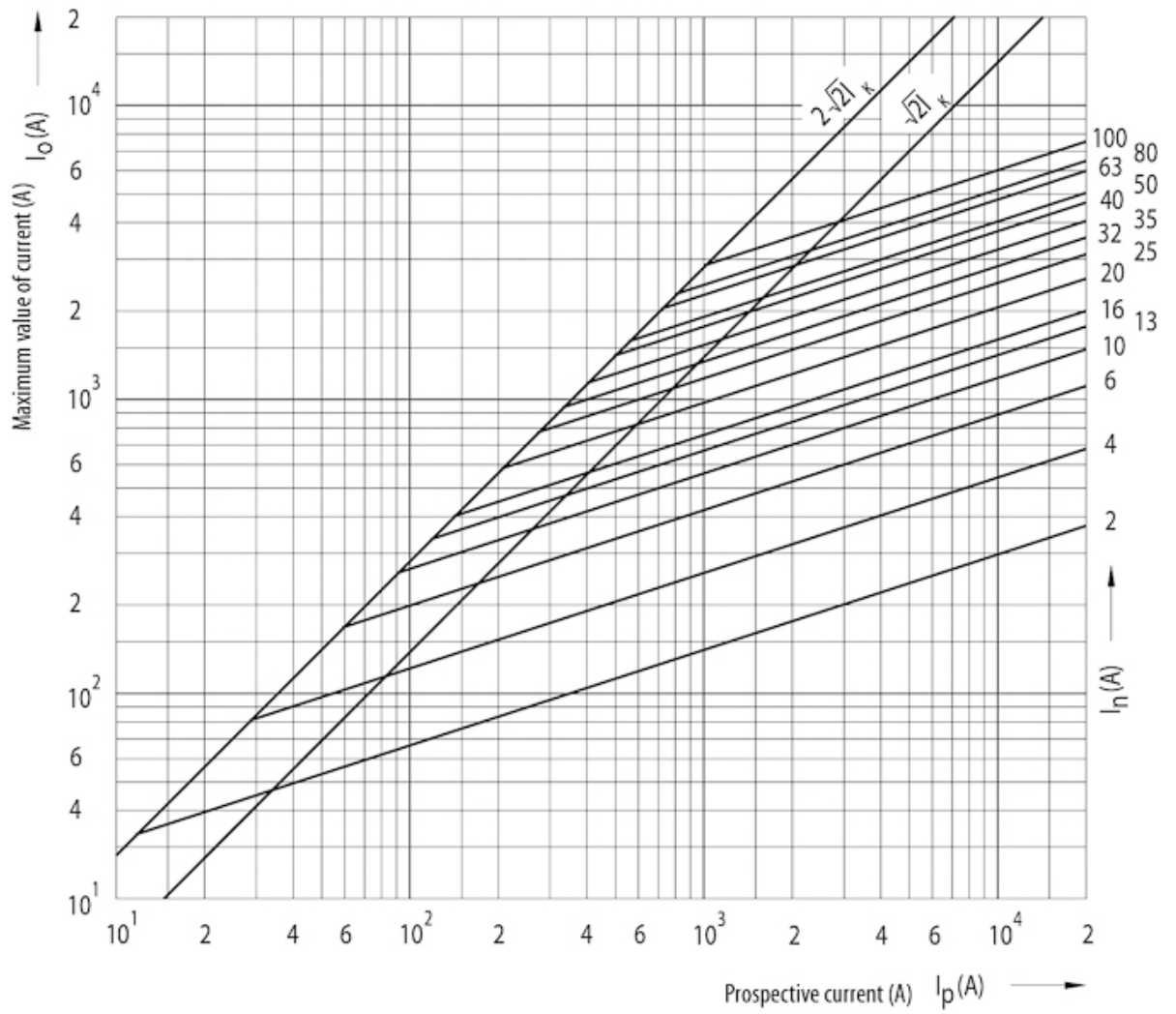


ETIM international classification

| | |
|-----------------------|---|
| Nominal rated current | 20A |
| Nominal rated voltage | 400V |
| Colour code | Blue |
| Construction size | D02 |
| Utilization category | gL/gG (cable protection/equipment protection) |

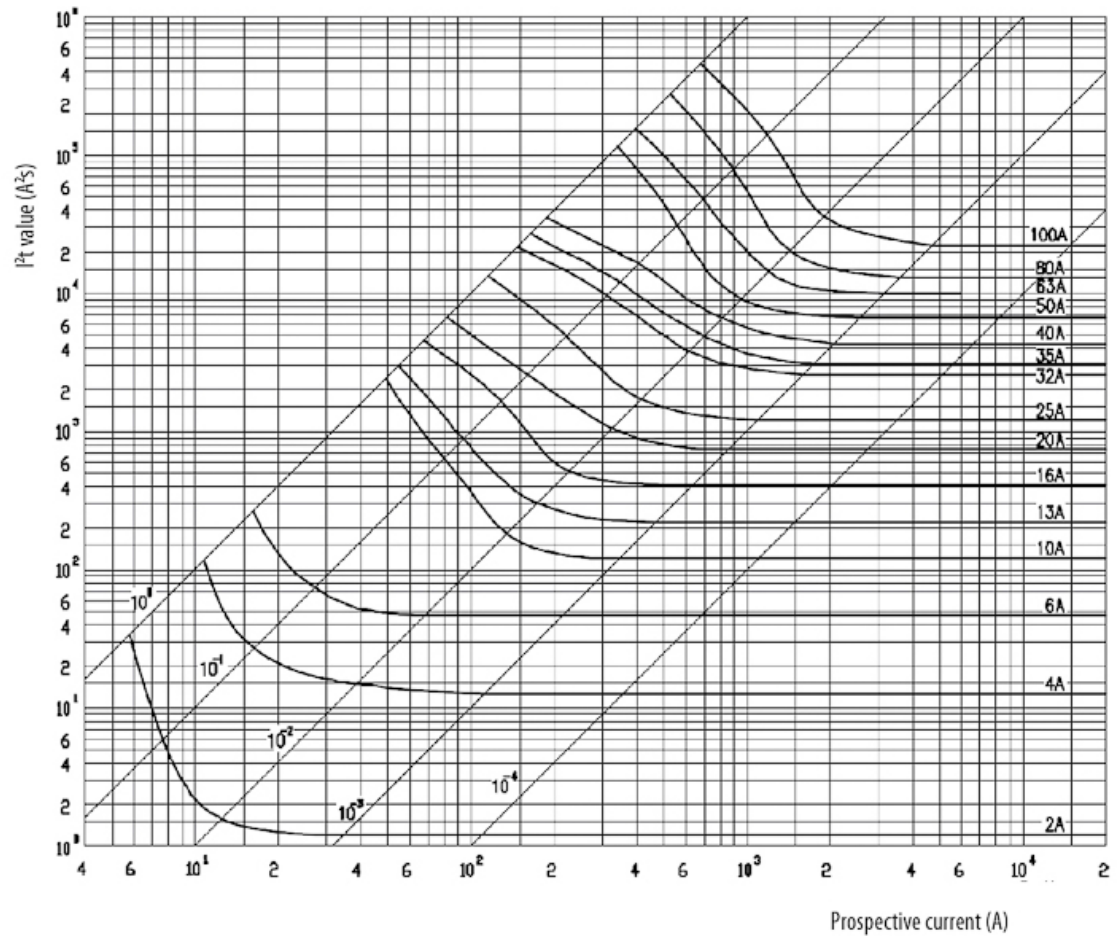
Cut-off current characteristics

Cut-off current characteristics

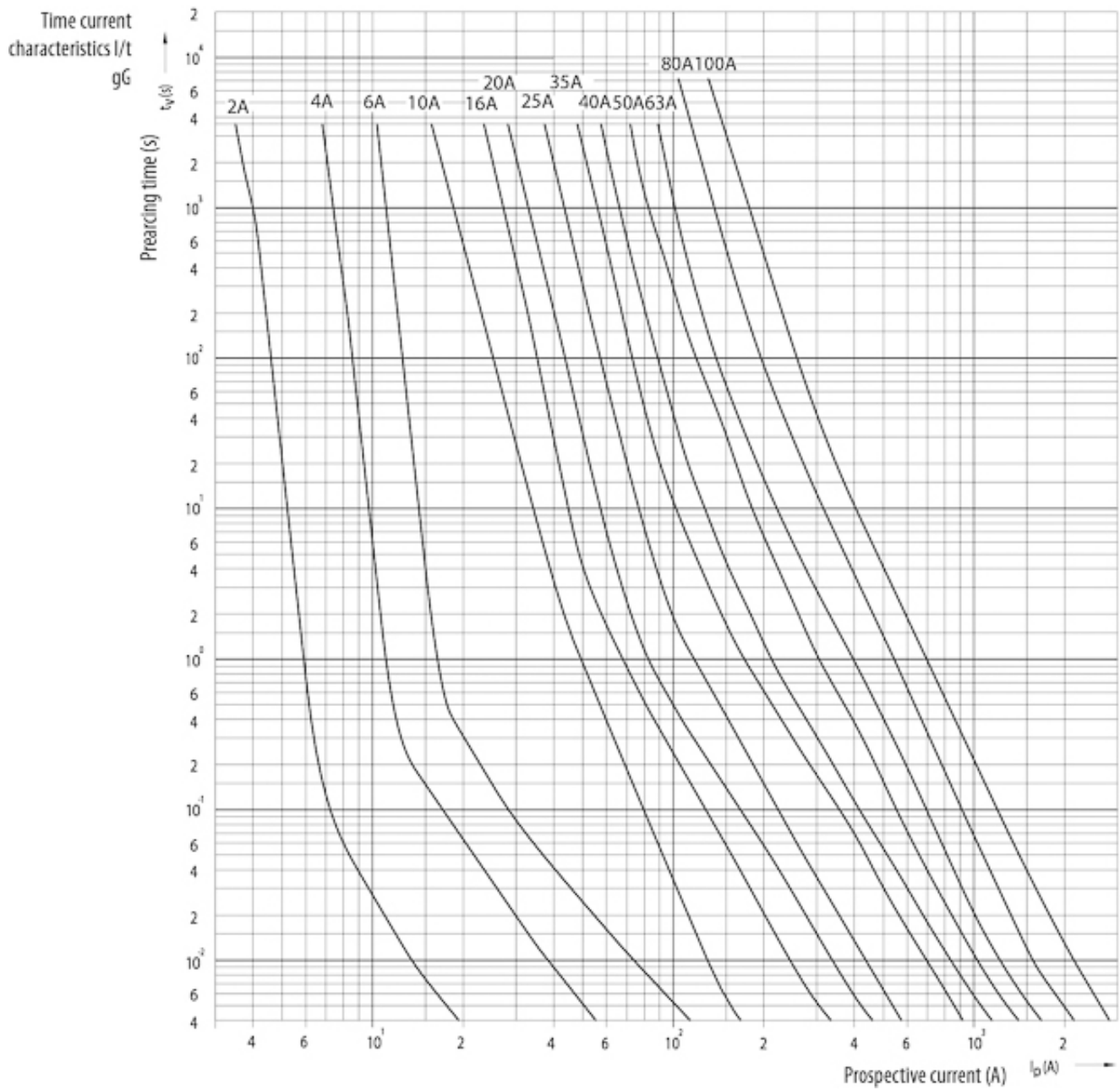


Melting energy characteristics

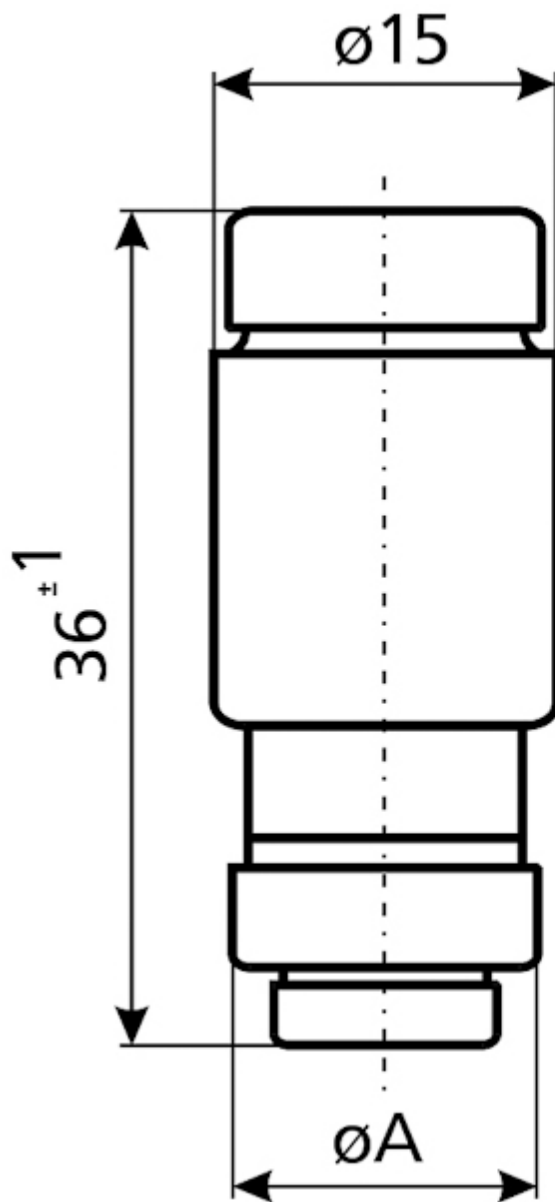
Melting energy characteristics I^2t



Time current characteristics



Dimension drawing



| l_n [A] | $\text{Ø}A$ |
|--------------|-------------|
| 20 | 10,9 |
| 25 | 12,1 |
| 32 | 13,3 |
| 35 | 13,3 |
| 40 | 13,3 |
| 50 | 14,5 |
| 63 | 15,9 |