

DII DZ/gF 2A/500V



Specifications

ETI Code	002312101
Description	DII DZ/gF 2A/500V
Weight	24
Level	Fuse links gG
Product group	D Low voltage Fuses
Characteristics	DZ
Rated AC voltage (V)	500
Rated current (A)	2
Type	D
Size	DII
Breaking capacity AC (kA)	50
Breaking capacity DC (kA)	8
Rated DC voltage (V)	250
Dimensions	E27
Indicator	visual top

Online product page [🔗](#)

Other documentation



[EU declaration](#)

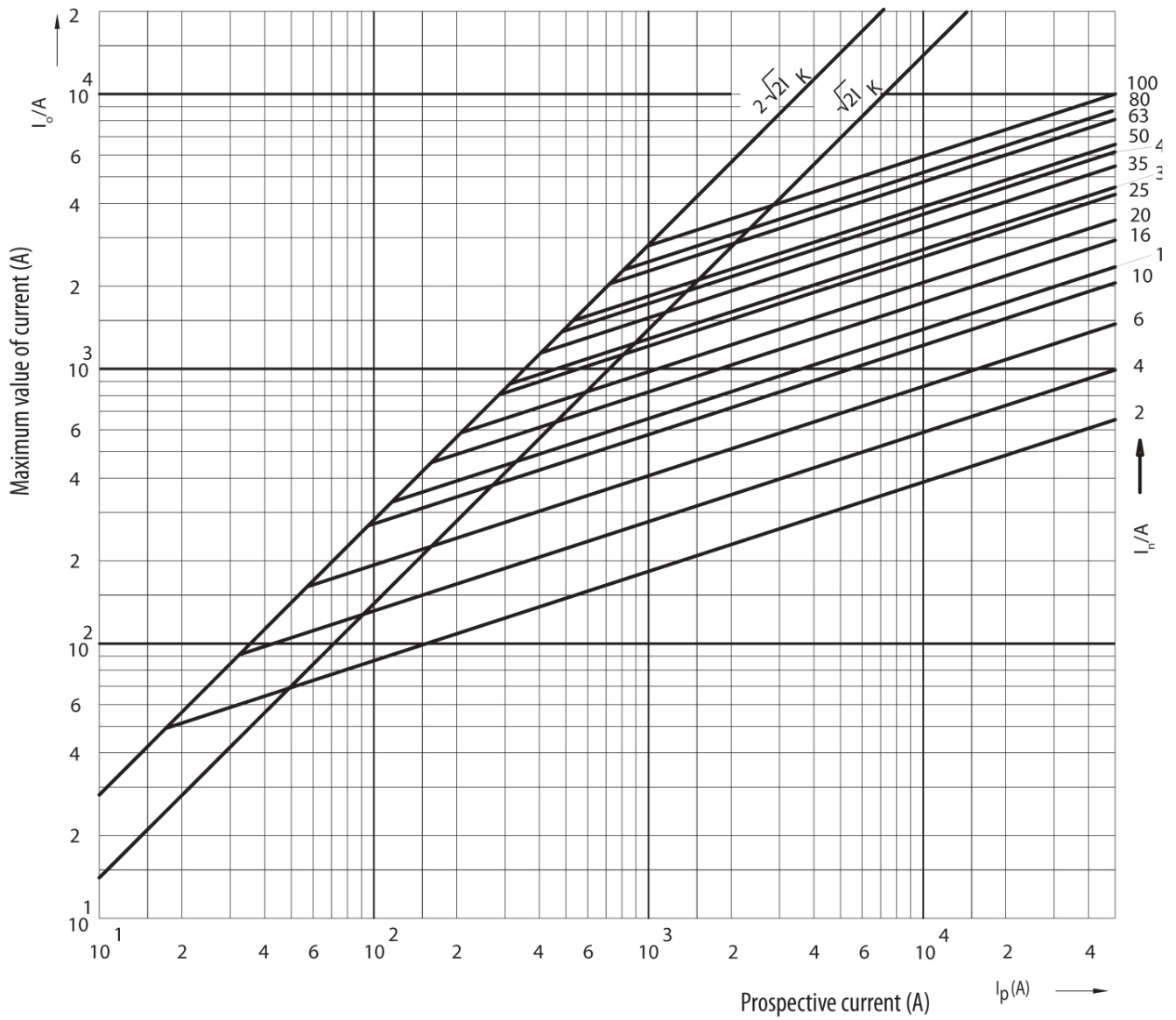
[Technical data catalogue](#)



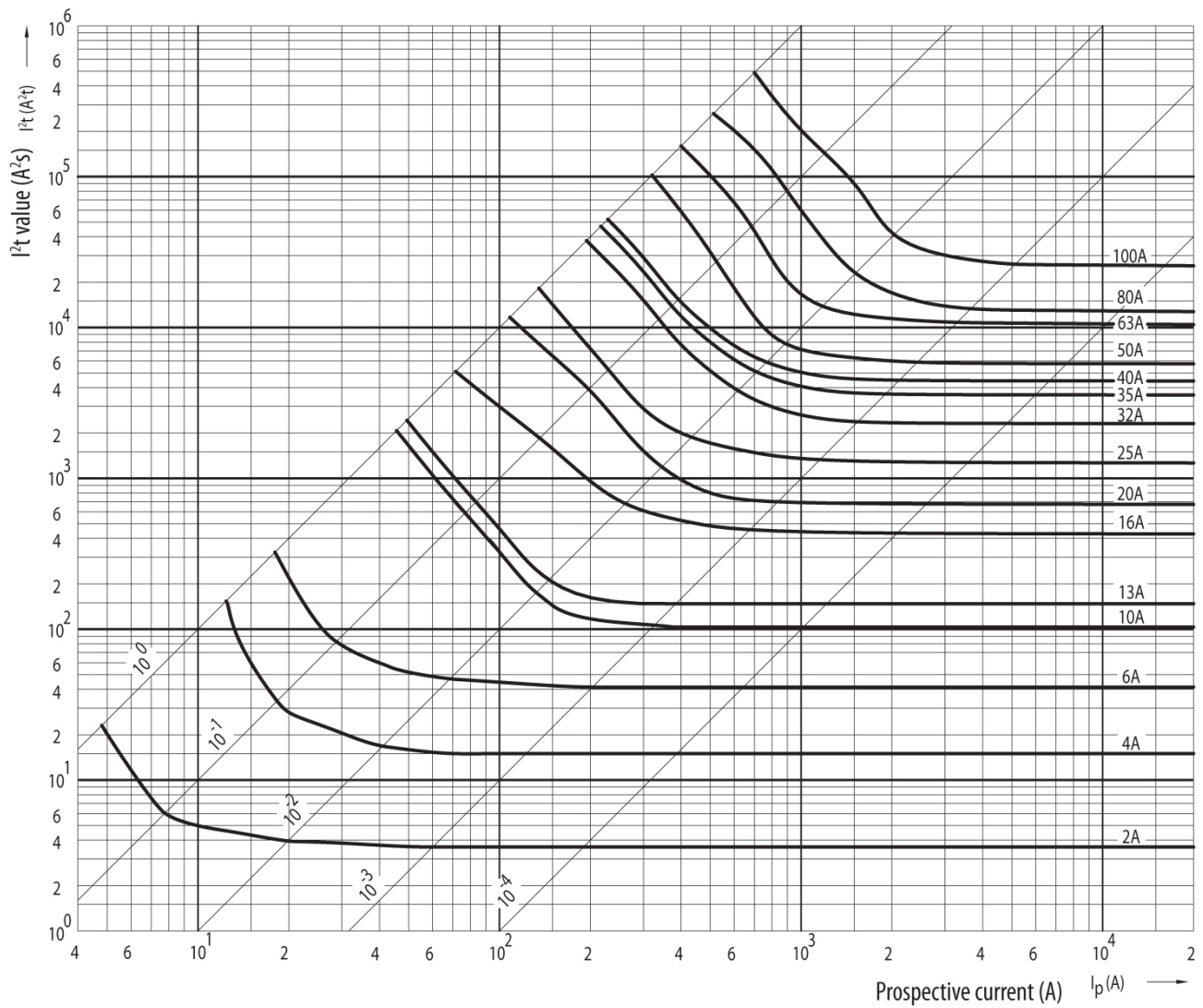
ETIM international classification

Nominal rated current	2A
Nominal rated voltage	500V
Release characteristic	Fast (F)
Colour code	Pink
Construction size	DII
Utilization category	Other

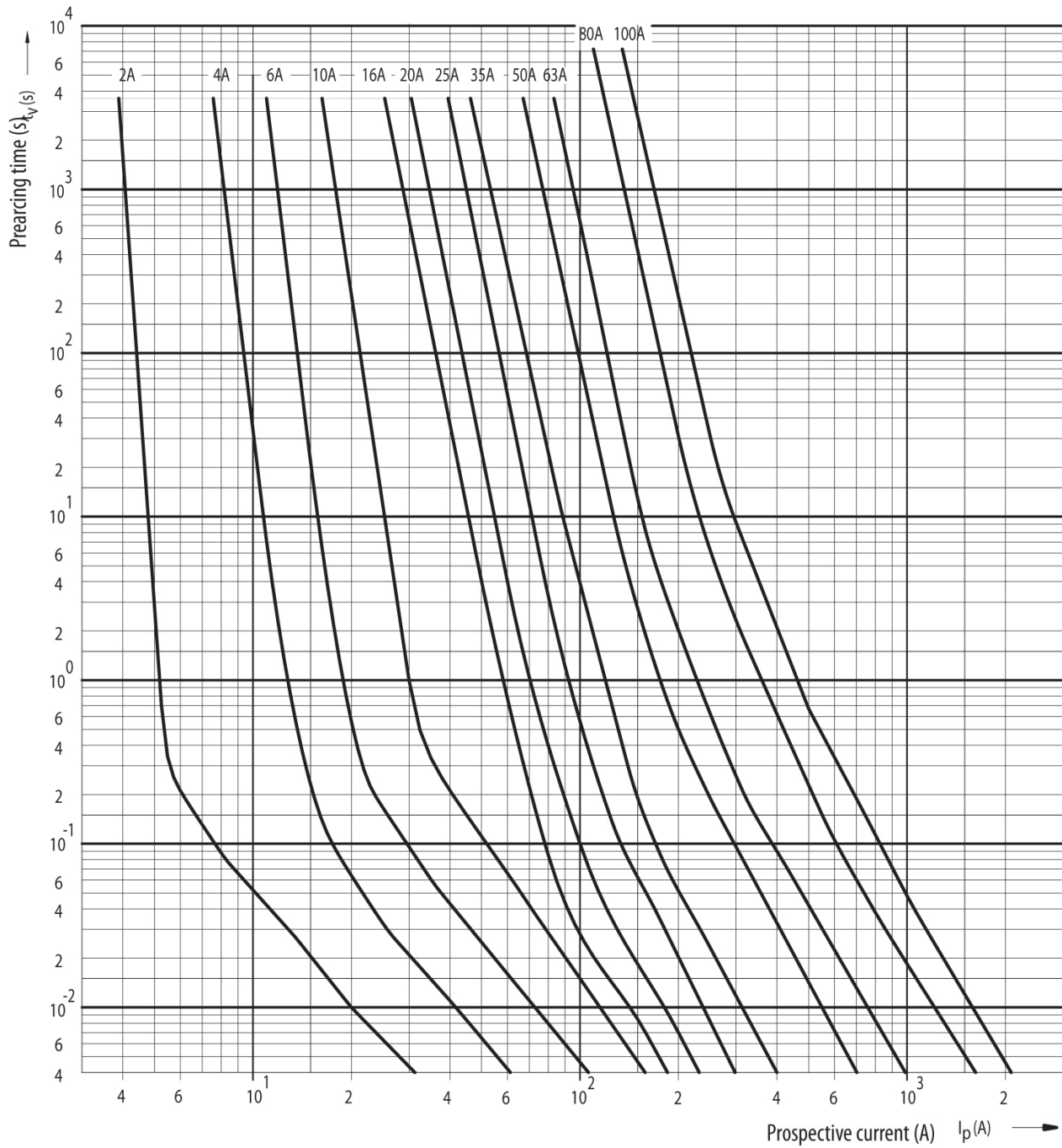
Cut-off current characteristics



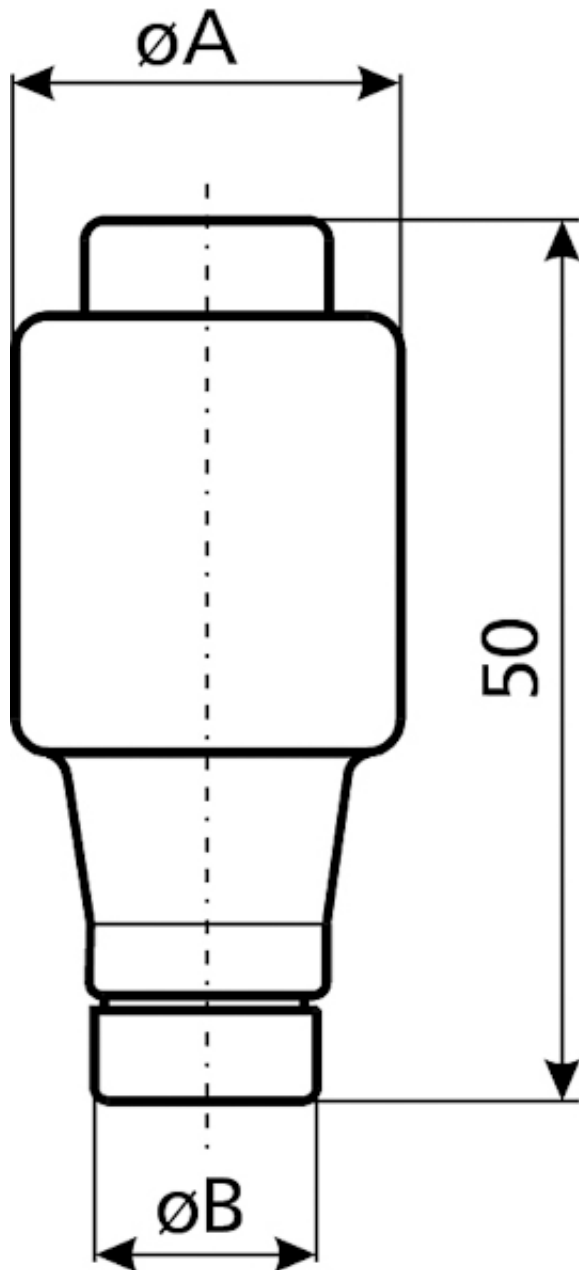
Melting energy characteristics



Time current characteristics



Dimension drawing



[A]	$\varnothing A$	$\varnothing B$
2	21,5	6
4	21,5	6
6	21,5	6
10	21,5	8
13	21,5	8
16	21,5	10
20	21,5	12
25	21,5	14