

# DIV DZ 80A/500V



## Specifications

ETI Code	002314101
Description	DIV DZ 80A/500V
Weight	125
Level	Fuse links gG
Product group	D Low voltage Fuses
Characteristics	DZ
Rated AC voltage (V)	500
Rated current (A)	80
Type	D
Size	DIV
Breaking capacity AC (kA)	50
Breaking capacity DC (kA)	8
Rated DC voltage (V)	250
Dimensions	R1 1/4"
Indicator	visual top

Online product page 

## Other documentation



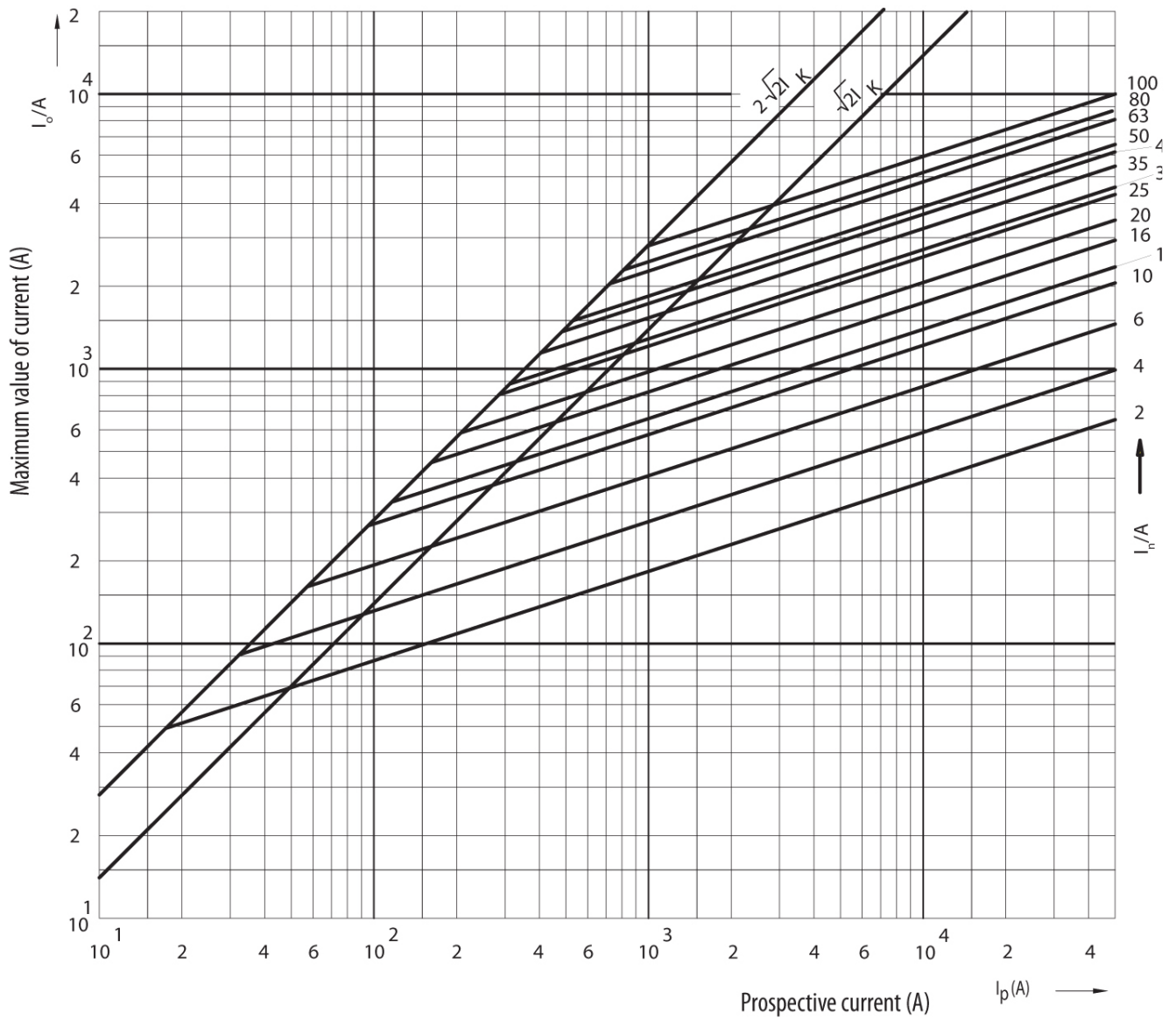
Technical data catalogue



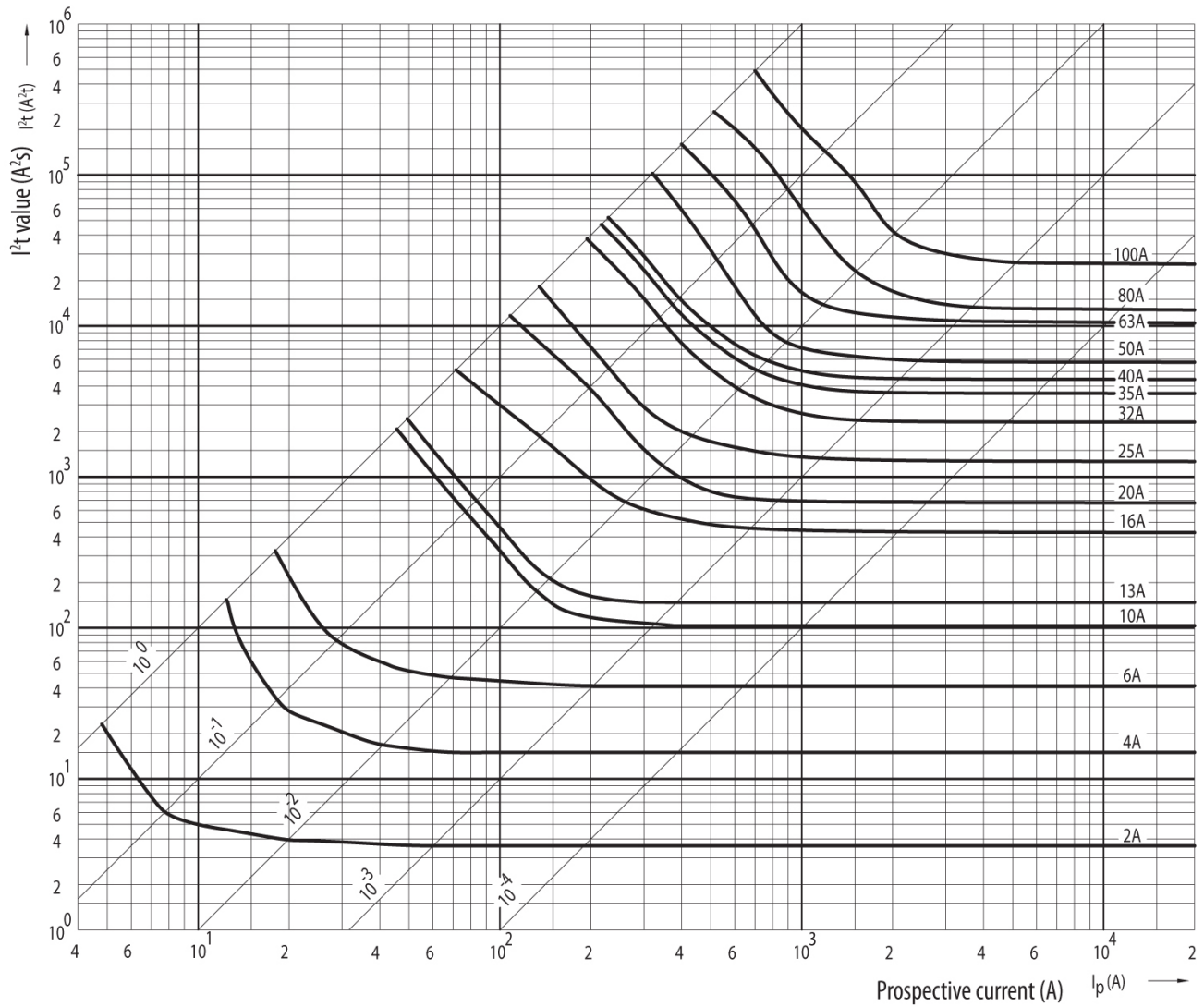
## ETIM international classification

Nominal rated current	80A
Nominal rated voltage	500V
Release characteristic	Fast (F)
Colour code	Silver
Construction size	DIV
Utilization category	Other

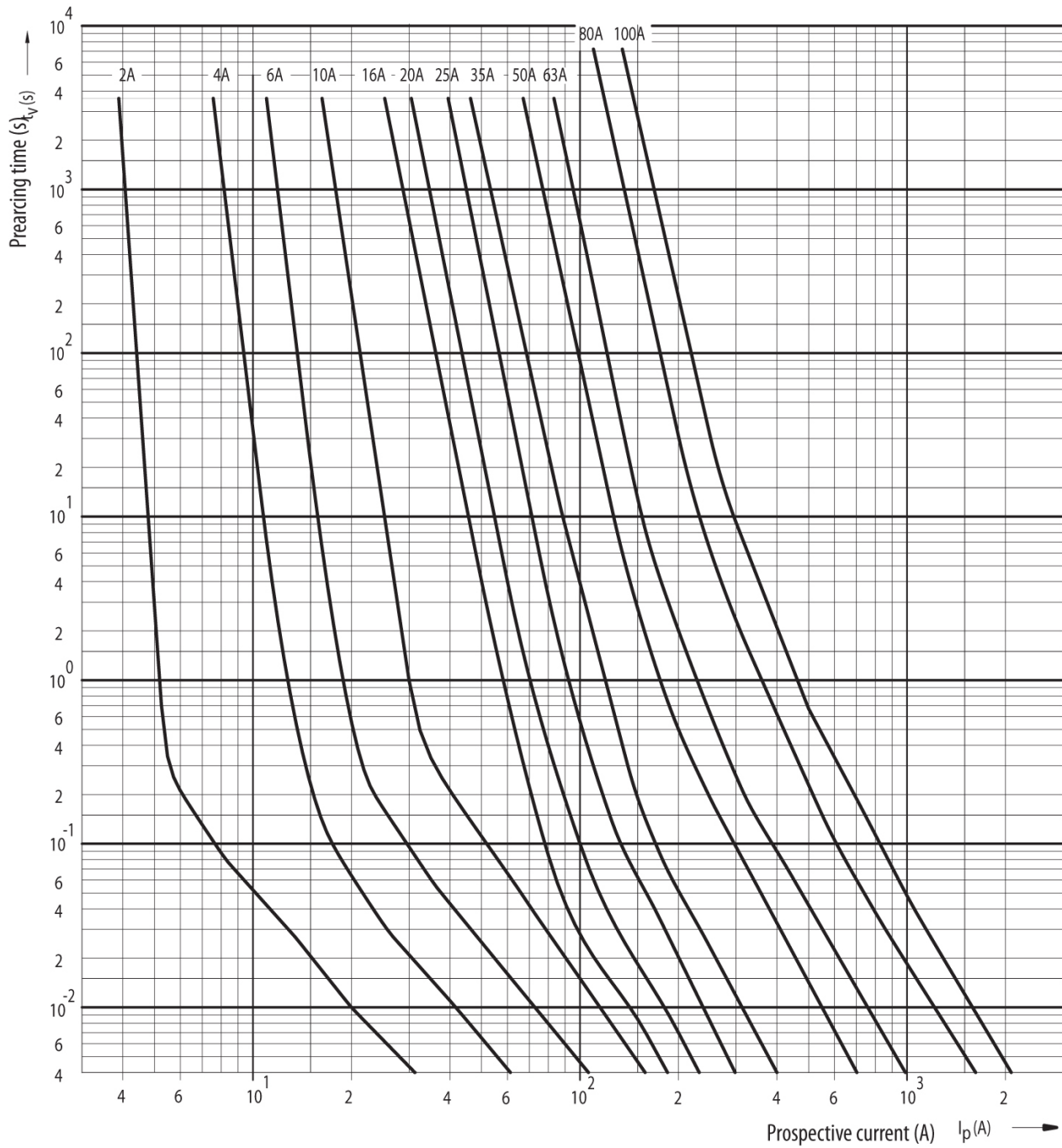
# Cut-off current characteristics



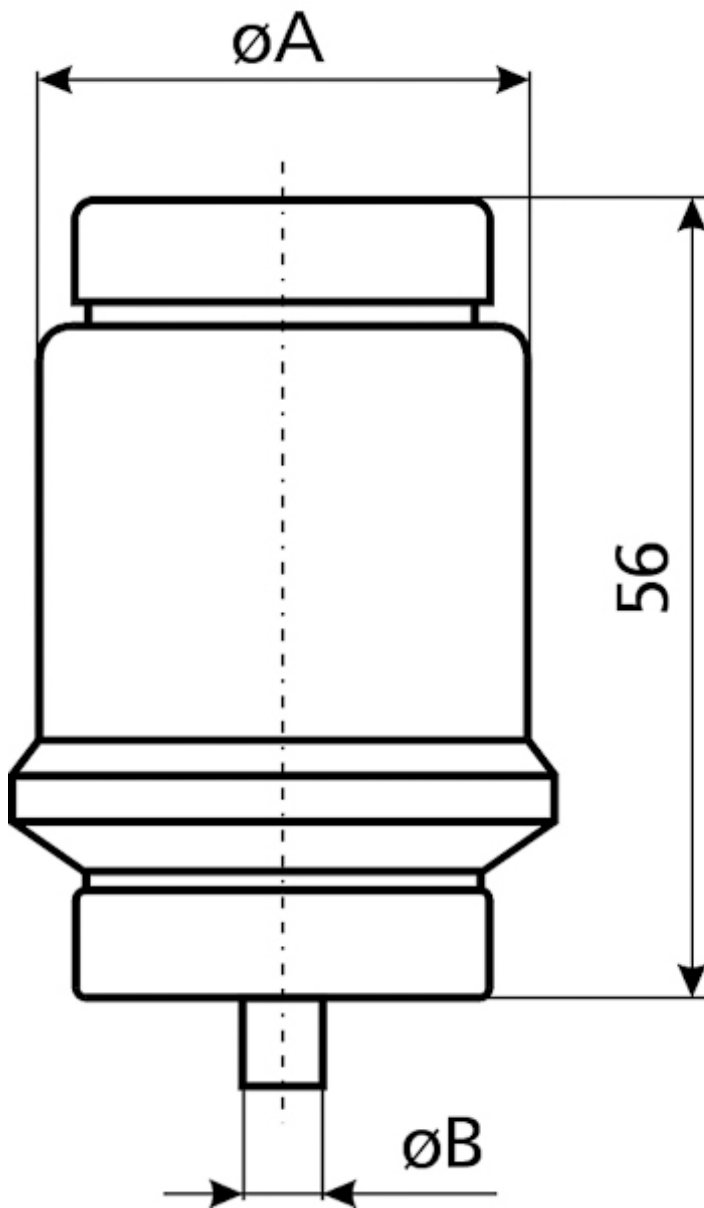
# Melting energy characteristics



# Time current characteristics



## Dimension drawing



[A]	$\varnothing A$	$\varnothing B$
80	33	5
100	33	7