

DIV gG 80A/500V



Specifications

ETI Code	002314401
Description	DIV gG 80A/500V
Weight	125
Level	Fuse links gG
Product group	D Low voltage Fuses
Characteristics	gL/gG (cable protection/equipment protection)
Rated AC voltage (V)	500
Rated current (A)	80
Type	D
Size	DIV
Breaking capacity AC (kA)	50
Breaking capacity DC (kA)	8
Rated DC voltage (V)	250
Dimensions	R1 1/4"
Indicator	visual top

Online product page

Other documentation



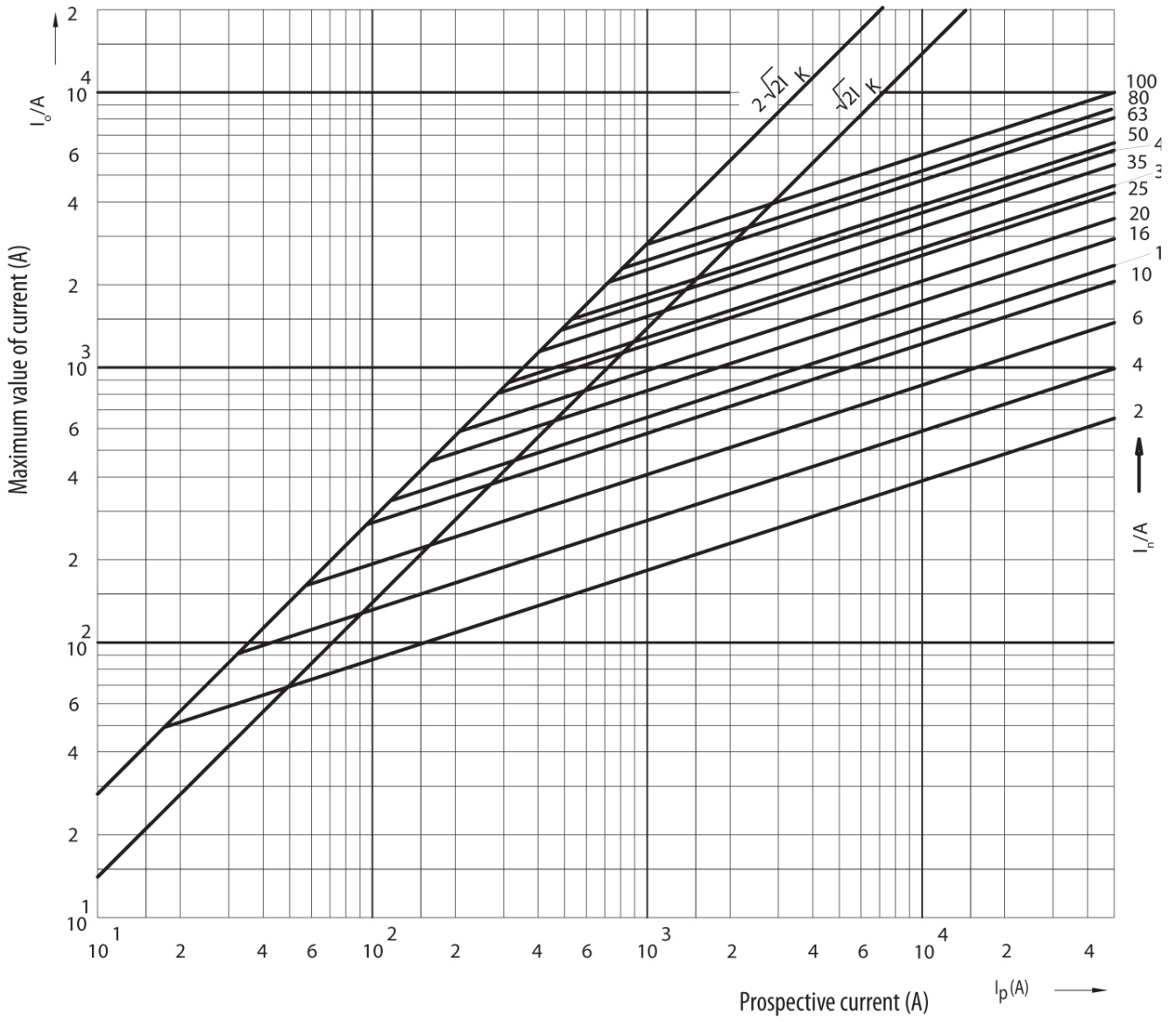
Technical data catalogue



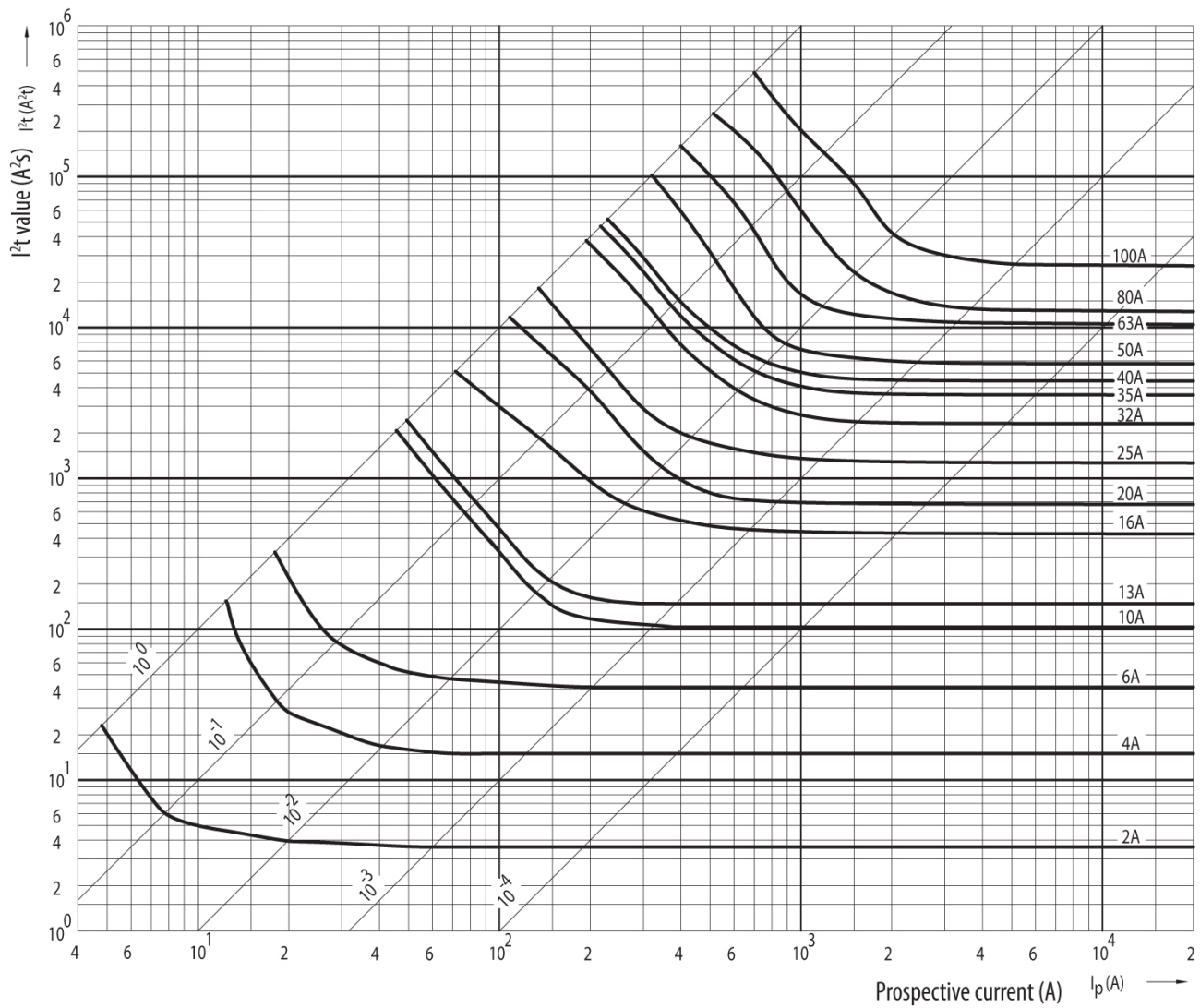
ETIM international classification

Nominal rated current	80A
Nominal rated voltage	500V
Release characteristic	Time-lag
Colour code	Silver
Construction size	DIV
Utilization category	gL/gG (cable protection/equipment protection)

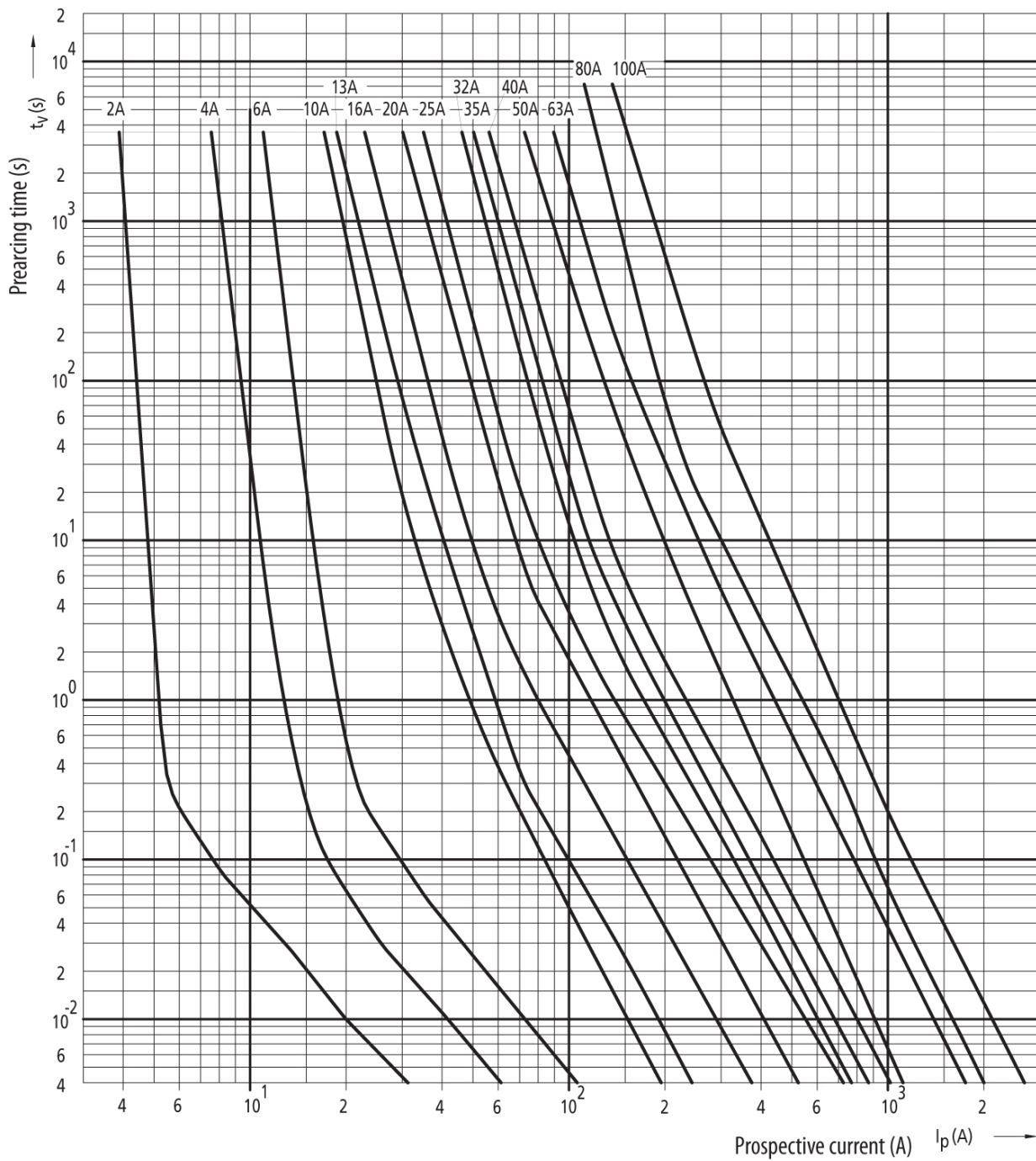
Cut-off current characteristics



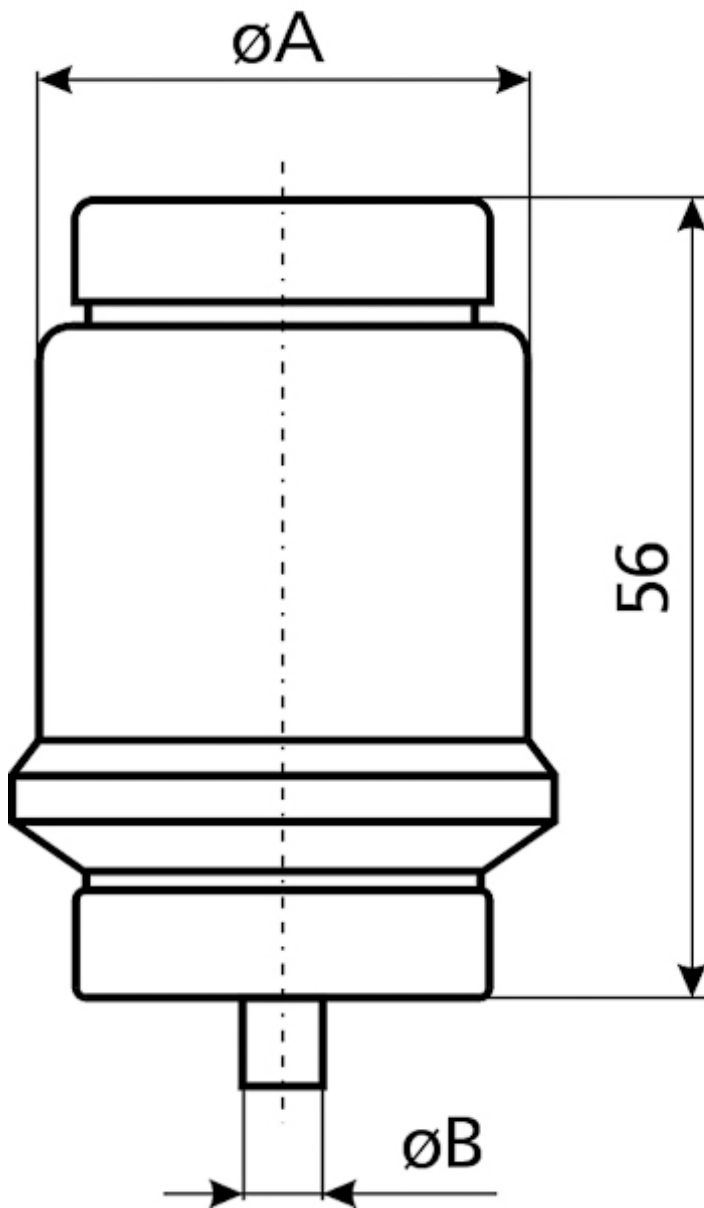
Melting energy characteristics



Time current characteristics



Dimension drawing



[A]	ØA	ØB
80	33	5
100	33	7