

DV DZ 125A/500V



Specifications

ETI Code	002315101
Description	DV DZ 125A/500V
Weight	210
Level	Fuse links gG
Product group	D Low voltage Fuses
Characteristics	DZ
Rated AC voltage (V)	500
Rated current (A)	125
Type	D
Size	DV
Breaking capacity AC (kA)	50
Breaking capacity DC (kA)	8
Rated DC voltage (V)	250
Dimensions	R2"
Indicator	visual top

Online product page 

Other documentation



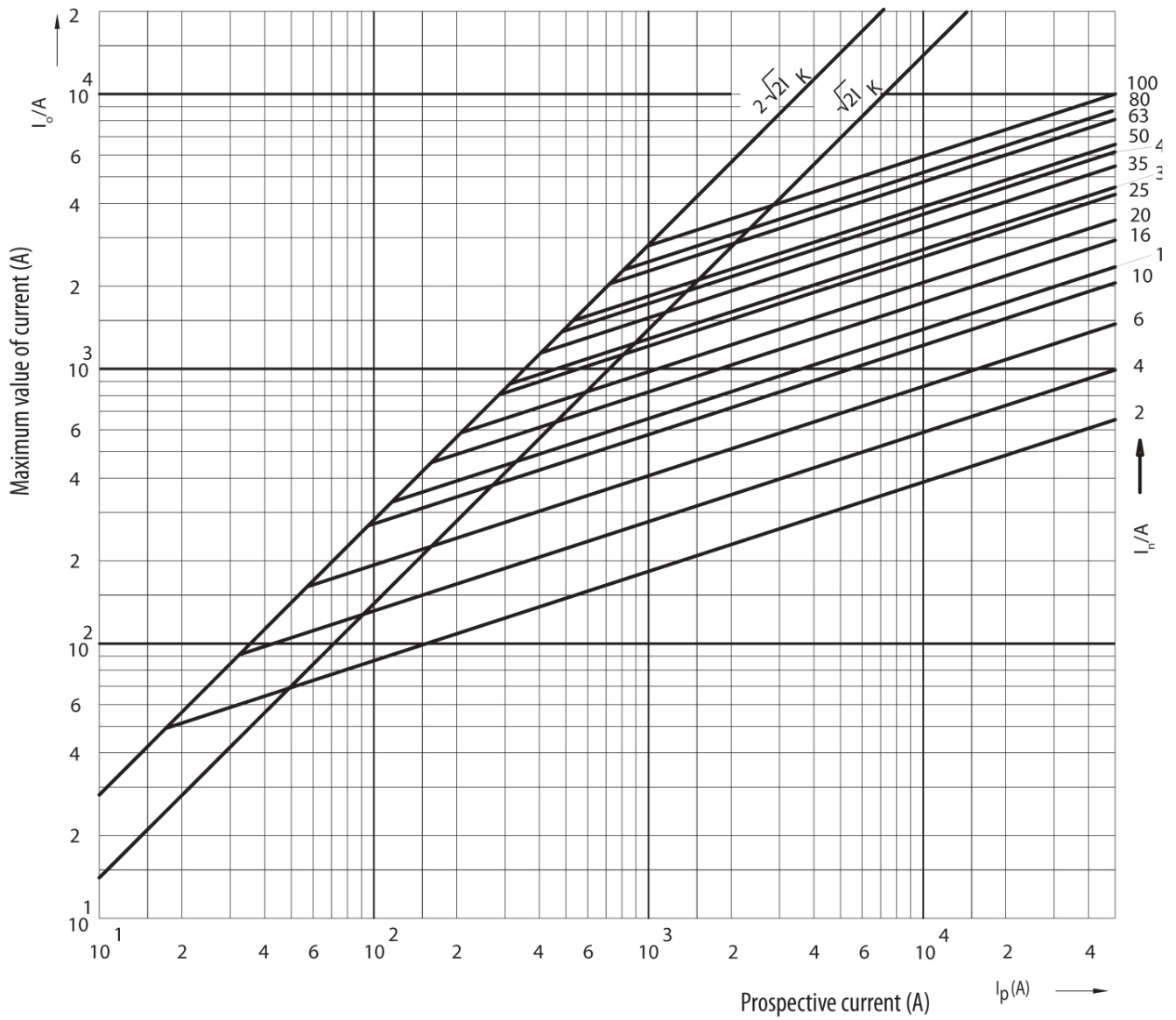
Technical data catalogue



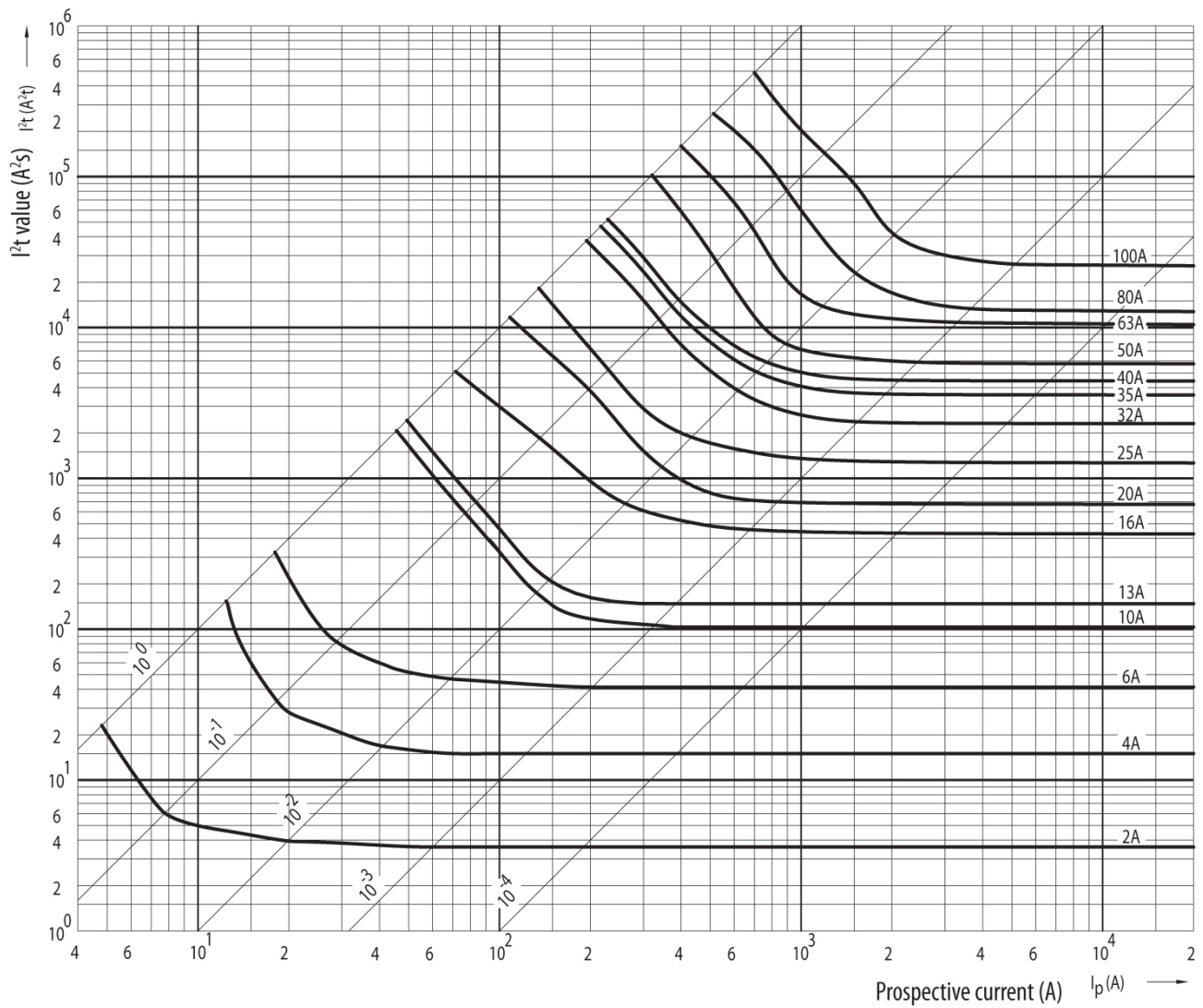
ETIM international classification

Nominal rated current	125A
Nominal rated voltage	500V
Release characteristic	Fast (F)
Colour code	Yellow
Construction size	DV
Utilization category	Other

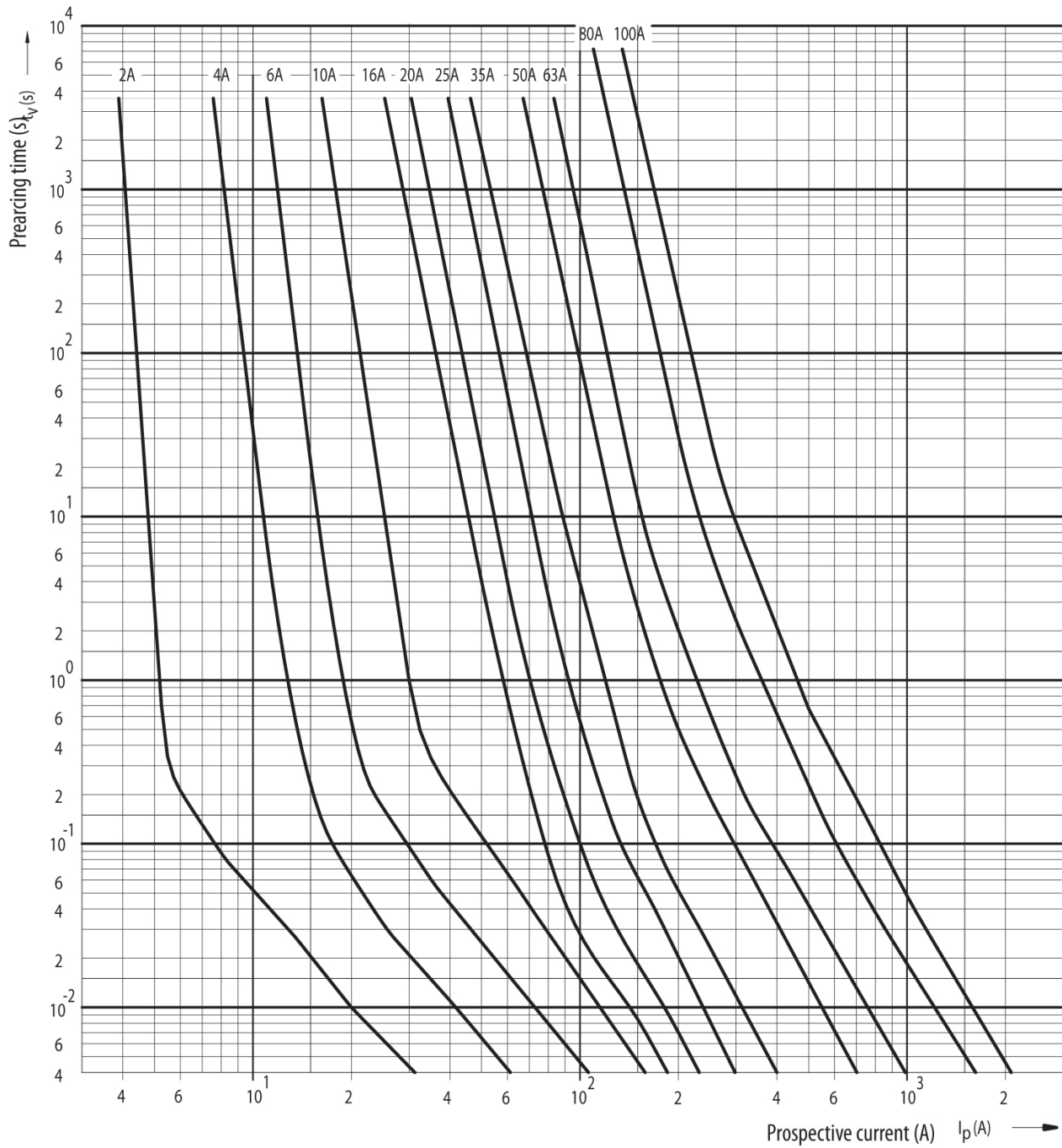
Cut-off current characteristics



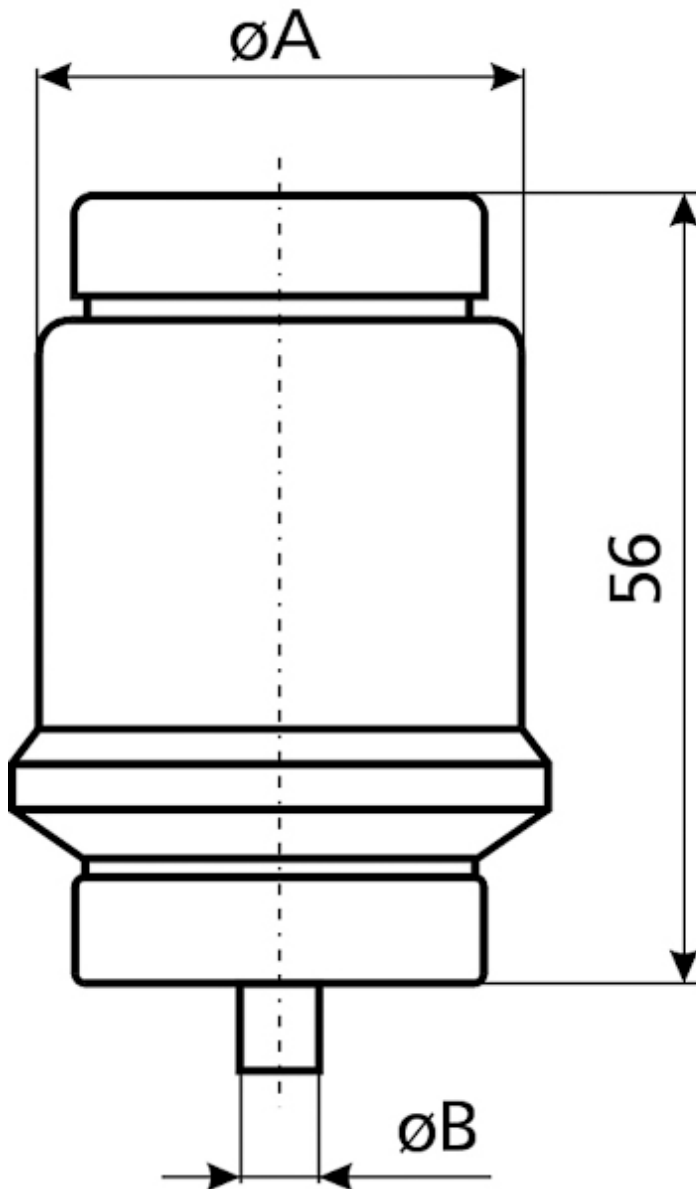
Melting energy characteristics



Time current characteristics



Dimension drawing



[A]	$\varnothing A$	$\varnothing B$
125	46	5
160	46	7
200	46	9