

DV gG 125A/500V



Specifications

| | |
|---------------------------|---|
| ETI Code | 002315401 |
| Description | DV gG 125A/500V |
| Weight | 210 |
| Level | Fuse links gG |
| Product group | D Low voltage Fuses |
| Characteristics | gL/gG (cable protection/equipment protection) |
| Rated AC voltage (V) | 500 |
| Rated current (A) | 125 |
| Type | D |
| Size | DV |
| Breaking capacity AC (kA) | 50 |
| Breaking capacity DC (kA) | 8 |
| Rated DC voltage (V) | 250 |
| Dimensions | R2" |
| Indicator | visual top |

Online product page 

Other documentation



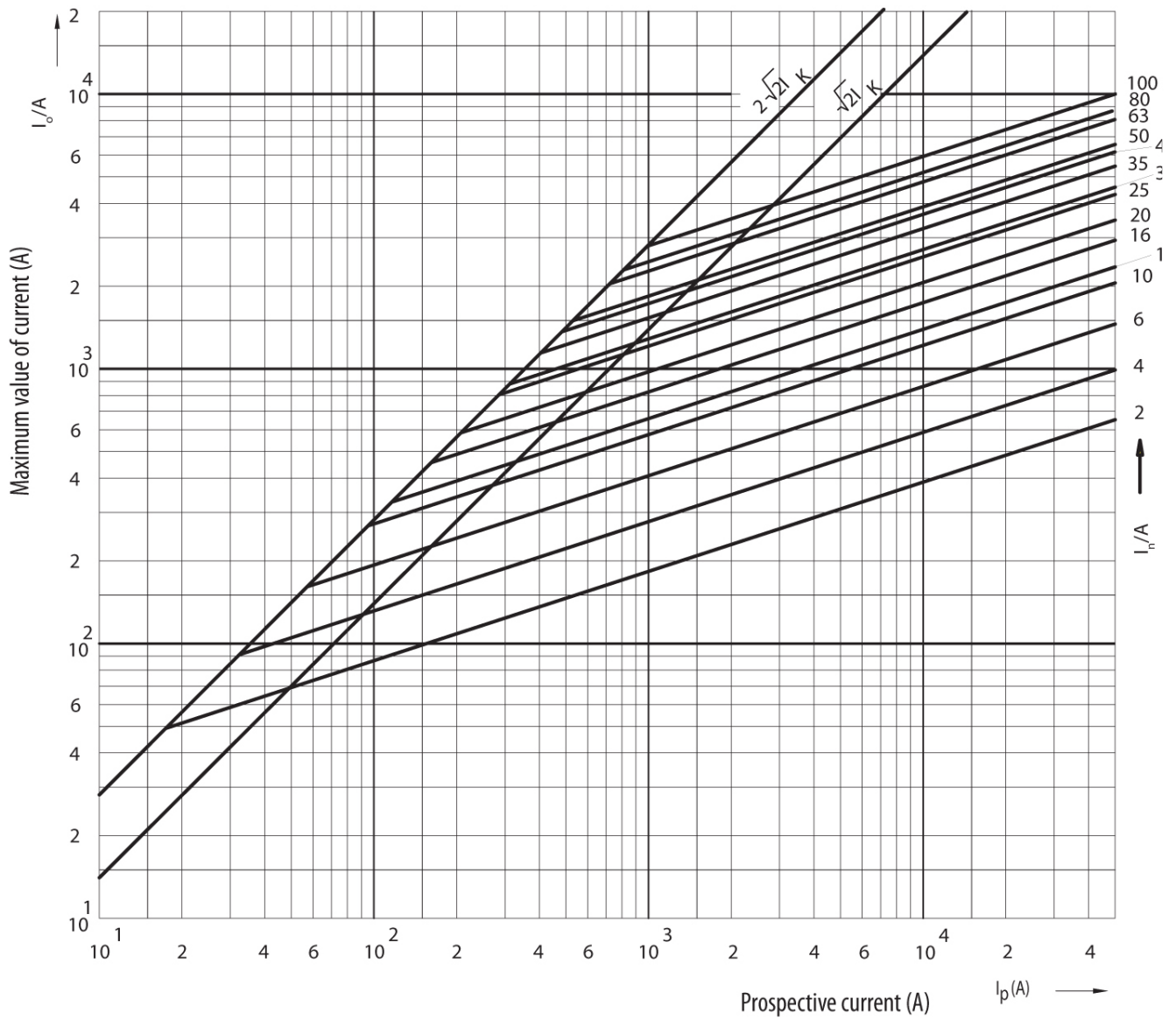
Technical data catalogue



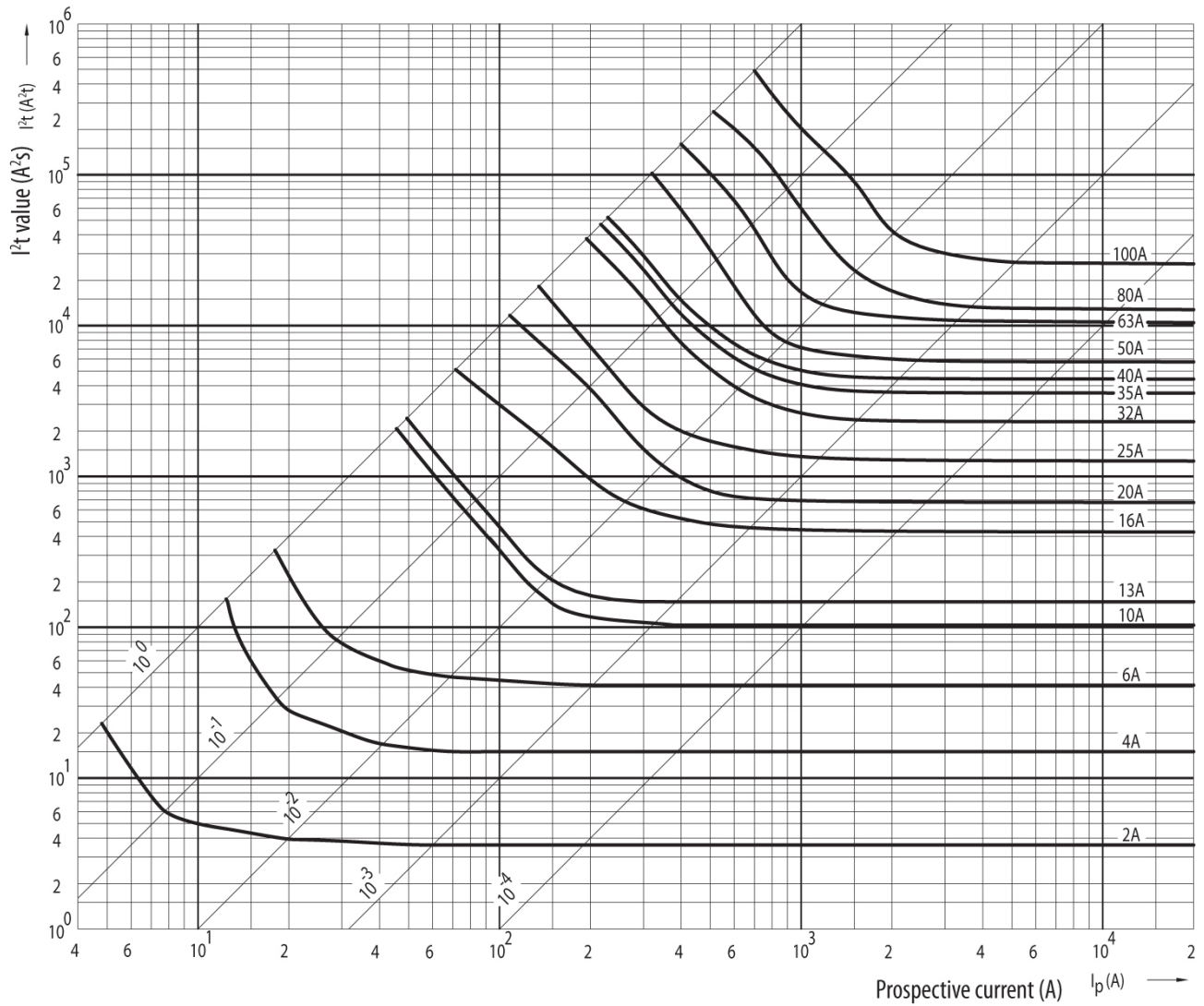
ETIM international classification

| | |
|------------------------|---|
| Nominal rated current | 125A |
| Nominal rated voltage | 500V |
| Release characteristic | Time-lag |
| Colour code | Yellow |
| Construction size | DV |
| Utilization category | gL/gG (cable protection/equipment protection) |

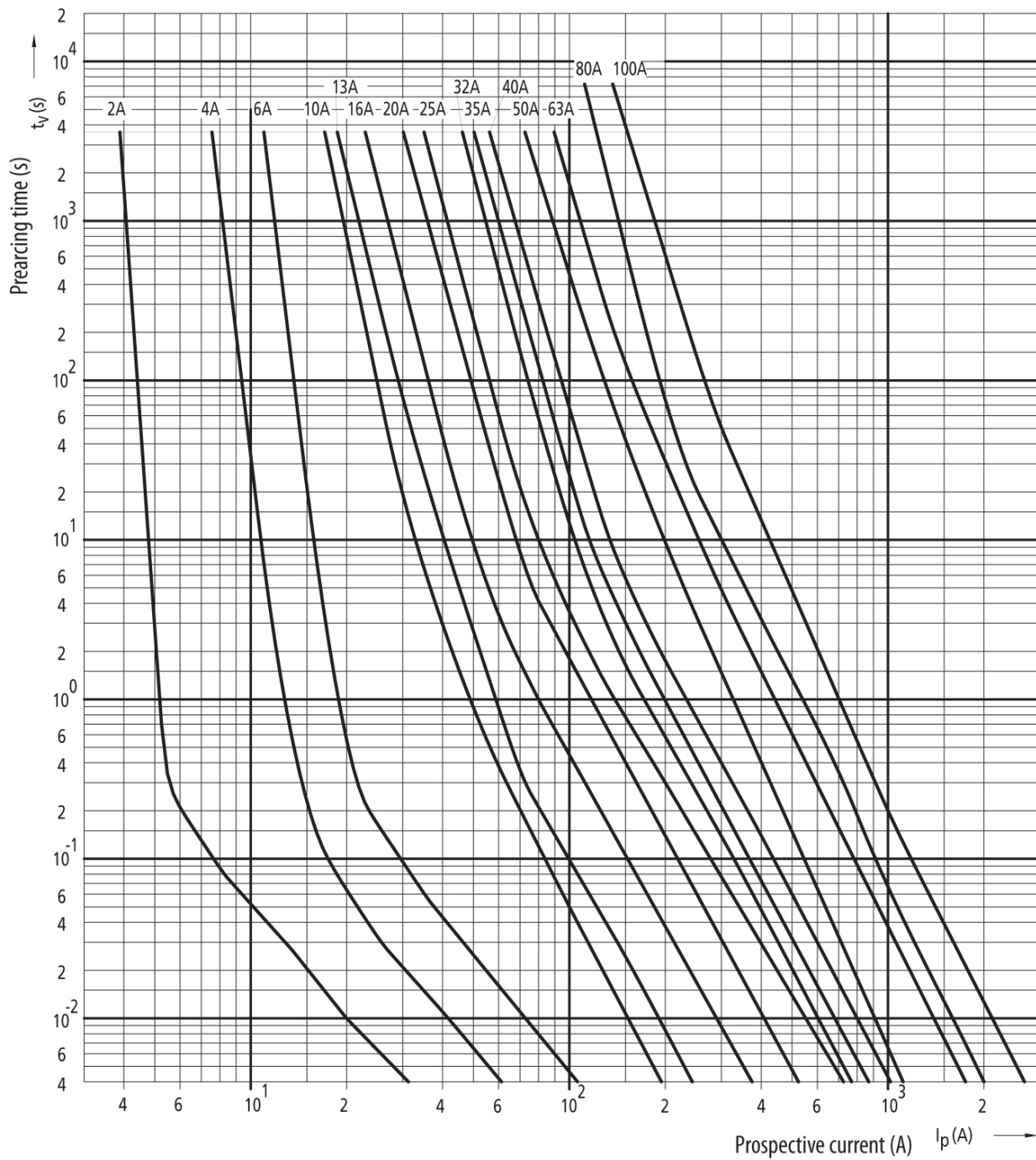
Cut-off current characteristics



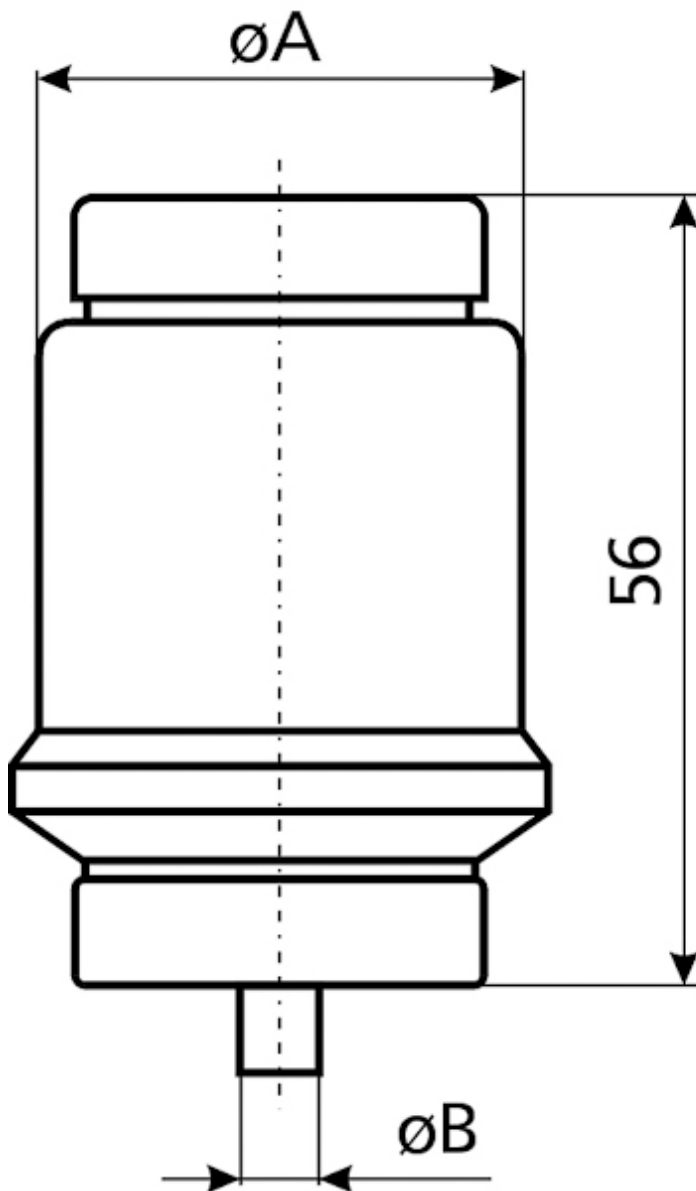
Melting energy characteristics



Time current characteristics



Dimension drawing



| [A] | $\varnothing A$ | $\varnothing B$ |
|-----|-----------------|-----------------|
| 125 | 46 | 5 |
| 160 | 46 | 7 |
| 200 | 46 | 9 |