

Square Body Fuse Links

2000Vdc, 20A to 600A, 170M Series

Description: A range of square body high speed traction fuse links which provides superior protection for DC traction third rail applications up to 2000Vdc.

Technical Data:

Rated Voltage: 2000Vdc
 Rated Current: 20-600A Single slot tag
 160-400A Double slot tag
 500-600A Parallel double slot tag
 Rated Breaking Capacity:
 100kA at 2000Vdc, L/R <15ms
 100kA at 1500Vdc, L/R <30ms



Microswitch (optional): 170H0239 and 170H3030 (gold), Type K indicator 6.3 x 0.8mm lugs, low operating voltage.

Features and Product Benefit

- High breaking capacity

Typical Applications

- Pantagraph
- Converter protection

Class of Operation: aR

Standards/Approvals: Tested in line with IEC 60269

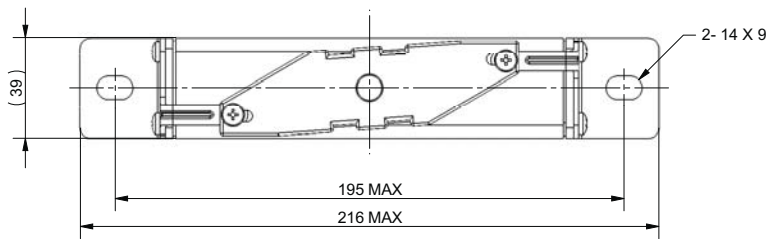
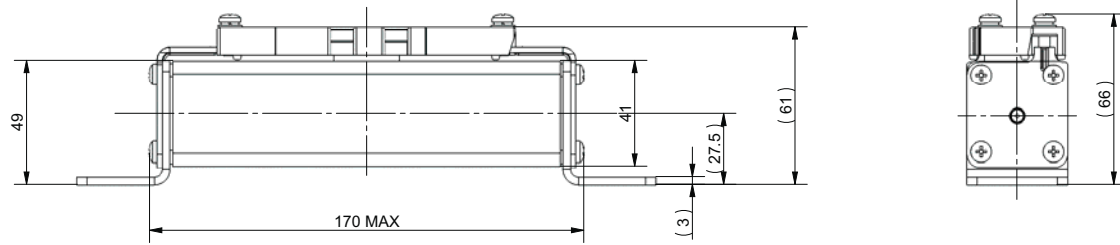
Catalogue Numbers

Catalogue Number	Fuse Link Type	Operating Class	Rated Voltage (Vdc)	Rated Current (Amps)	Energy Integrals I ² t (A ² s)		Watts Loss (W)	
					Pre-Arcing	Total at 2000V	0.8 I _n	I _n
170M2046	Single Slot Tag	aR	2000	20	85	240	9	12
170M2047				25	130	390	9	16
170M2048				32	220	645	11	18
170M2049				40	390	1140	12	20
170M2050				50	610	1780	17	33
170M2051				63	1030	3000	20	39
170M2052				80	1555	4550	28	53
170M2053				100	2680	7840	33	63
170M2054				125	4110	12,020	42	79
170M2055				160	6620	19,360	45	87
170M2056				200	10,720	31,360	50	95
170M2057				215	21,870	64,000	51	97
170M2039				Double Slot Tag	aR	2000	160	7875
170M2040	200	12,300	118,670				85	113
170M2041	250	21,870	211,000				100	133
170M2042	315	38,880	375,110				119	158
170M2043	400	65,710	633,965				148	176
170M2044	Parallel Double Slot Tag	aR	2000	500	105,851	163,010	109	230
170M2045				600	188,179	289,796	153	305

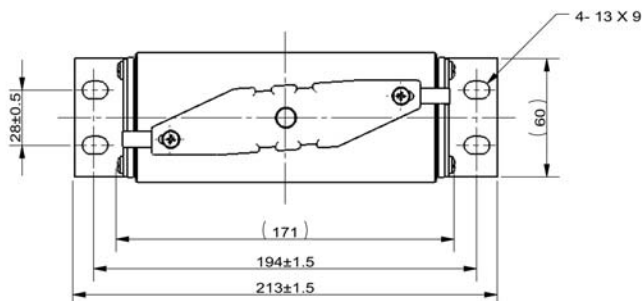
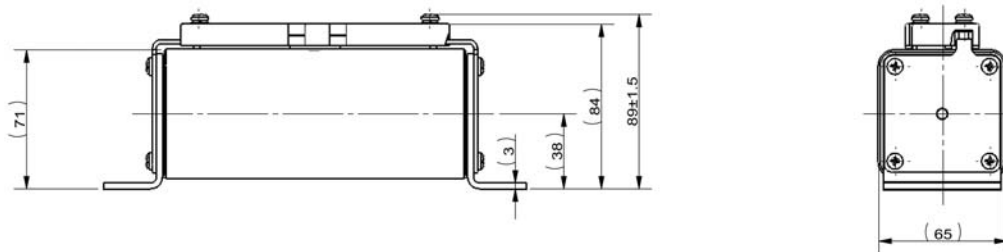
Square Body Fuse Links 2000Vdc, 20A to 600A, 170M Series

Dimensions - mm

170M2046 to 170M2057 - Single Slot Tag



170M2039 to 170M2043 - Double Slot Tag



Data Sheet: 720142

Square Body Fuse Links 2000Vdc, 20A to 600A, 170M Series

170M2044 and 170M2045 - Parallel Double Slot Tag

