

Size 1*, 3 and 23 Square Body Fuse Links 750Vdc, 50A to 1600A, 170M Series

Description: A range of square body high speed traction fuse links for superior protection of DC third rail applications up to 750Vdc.

Technical Data:

Rated Voltage: 750Vdc
 Rated Current: 50-160A, 450-800A and 1000-1600A
 Tested Breaking Capacity:
 Size 1* 85kA at 750Vdc, L/R 95ms
 80kA at 950Vdc, L/R 40ms
 Size 3 and 23
 110kA at 750Vdc, L/R 40ms



Class of Operation: aR size 1*
gR size 3 and 23

Fuse Link Size: 1*, 3 and 23

Standards/Approvals: IEC 60269

Microswitch (optional): 170H0069, Type K indicator 6.3 x 0.8mm lugs, low operating voltage.

Features and Product Benefit

- High breaking capacity

Typical Application

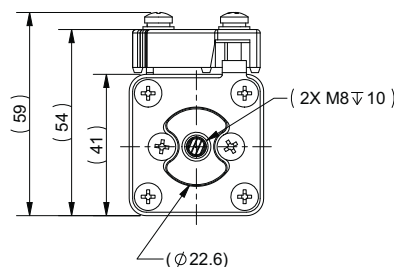
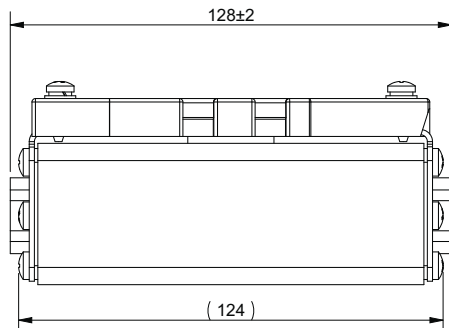
- Third rail

Catalogue Numbers

Catalogue Number	Fuse Link Type	Fuse Link Size	Operating Class	Rated Voltage (Vdc)	Rated Current (Amps)	Energy Integrals I²t (A²s)		Watts Loss (W)	
						Pre-Arcing	Total at 750Vdc	0.8 I _n	I _n
170M2000	Flush End	1*	aR	750	50	390	1300	15	27
170M2001					63	610	2050	18	35
170M2002					80	670	2250	19	37
170M2003					100	2450	8150	21	40
170M2004					125	2950	9800	24	47
170M2005					160	5500	18,250	29	56
170M2010	Flush End	3	gR	750	450	65,700	272,300	46	87
170M2011					500	83,200	344,800	52	98
170M2012					550	136,700	566,500	67	126
170M2013					630	173,500	719,000	75	142
170M2014					700	268,000	1,110,500	78	156
170M2015					750	307,600	1,275,000	83	167
170M2016	Parallel	23	gR	750	800	349,900	1,450,000	89	178
170M2017					1000	476,300	1,973,700	112	187
170M2018					1250	694,000	2,875,800	134	224
170M2019					1400	1,071,600	4,440,500	152	254
170M2020					1500	1,230,200	5,097,700	165	275
170M2021	1600	1,399,700	5,800,100	180	300				

Dimensions - mm

170M2000 to 170M2005 - Flush End - Size 1*

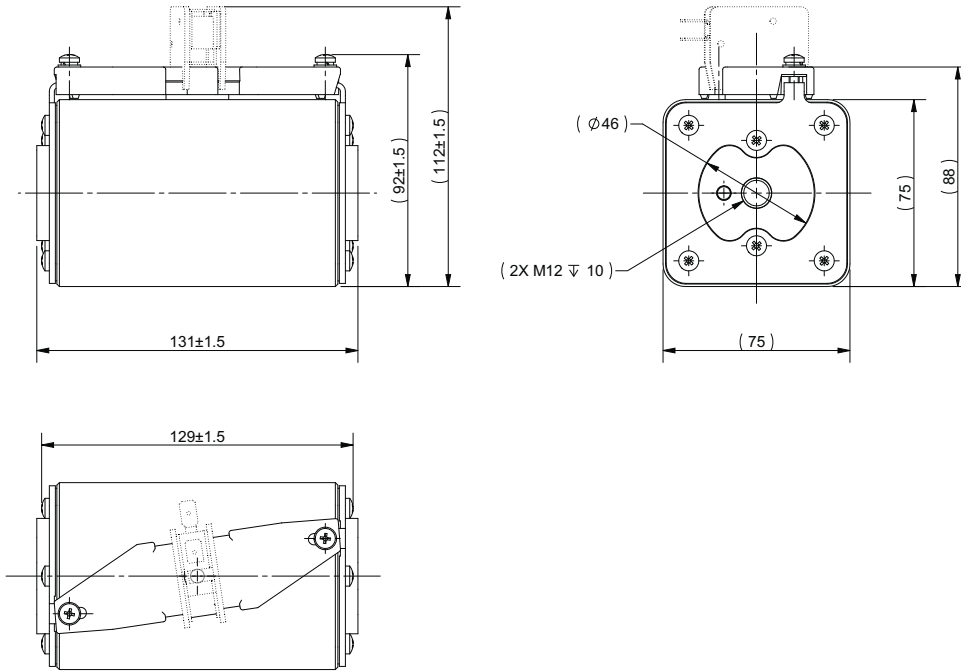


Data Sheet 720140

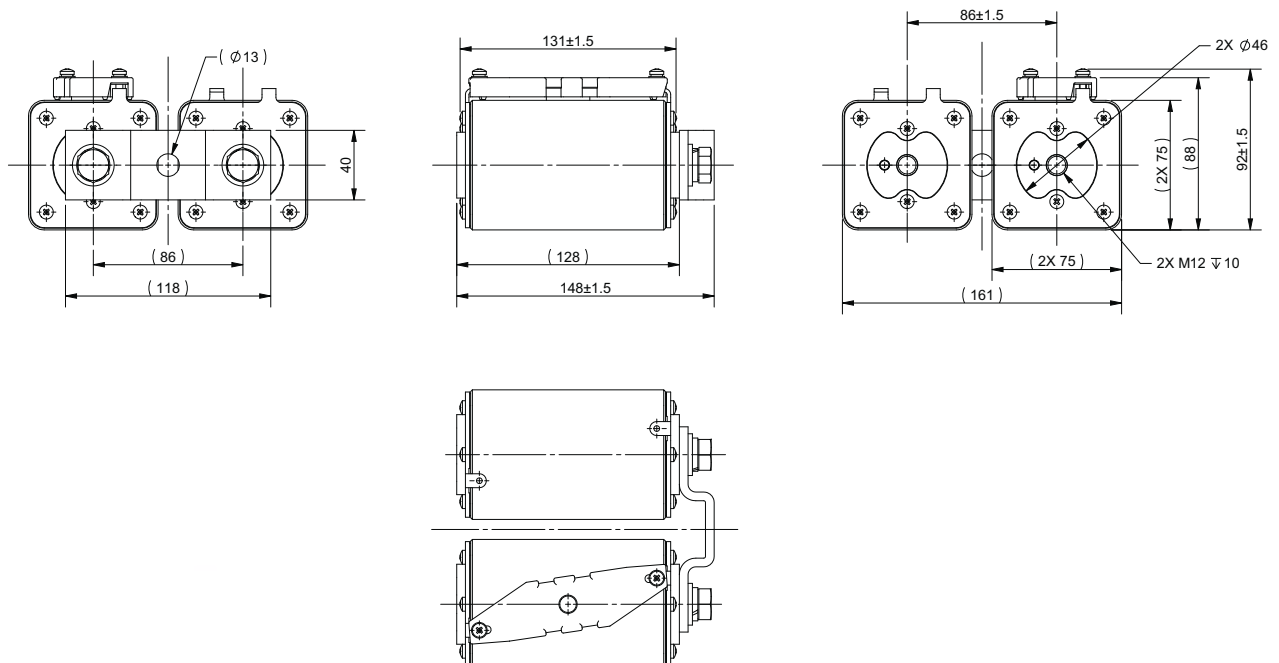
Size 1*, 3 and 23 Square Body Fuse Links 750Vdc, 50A to 1600A, 170M Series

Dimensions - mm

170M2010 to 170M2016 - Flush End - Size 3



170M2017 to 170M2021 - Parallel - Size 23



Data Sheet 720140