

LFFB SERIES LIMITER BLOCK

150 V • 800 A



Specifications

Voltage Rating	150 Vac/dc
Ampere Rating	800 A Max
Approvals	UL Recognized (File: E14721)
Construction	Base – Thermoplastic Studs – Steel Zinc Plated Nuts – M8 Hex, 1.25 Thread Pitch
Torque	Base: 25 in-lb Fuse: 90 in-lb
Mounting Screw	#10 Flat Head
Operating Temp	-55 °C to +125 °C
Environmental	RoHS Compliant
Flammability Rating	UL94 V-0, 5VA

Ordering Information

CATALOG NUMBER	ORDERING NUMBER
LFFB003	LFFB0003Z

Description

The LFFB series fuse block is designed to accept bolt-down style limiter fuses. Applications include but are not limited to forklifts, golf carts and other low-voltage battery equipment. It is specifically designed for the HAZGARD™ fuse but can be used for CNN and CNL series fuses as well.

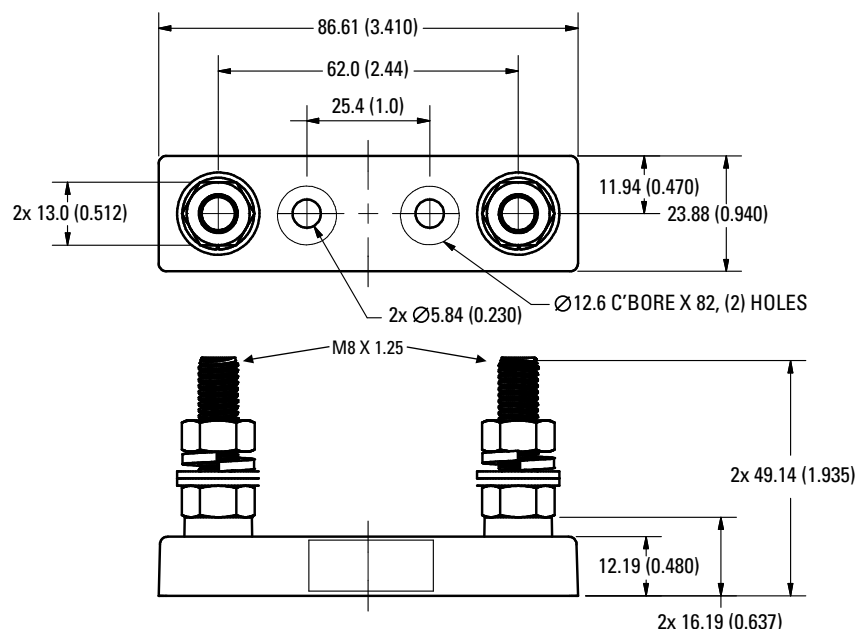
Web Resources

Additional technical information: littelfuse.com/lffb

Recommended Fuses

CNN_E, CNN and CNL Series cable limiter fuses
HAZGARD (581 series) fuse

Dimensions mm (inches)



Disclaimer Notice – Information furnished is believed to be accurate and reliable. However, users should independently evaluate the suitability of and test each product selected for their own applications. Littelfuse products are not designed for, and may not be used in, all applications. Read complete Disclaimer Notice at www.littelfuse.com/product-disclaimer.