

LFNH SERIES FUSE BLOCK



Description

The LFNH series fuse block is specifically designed for the Littelfuse SPNH 1500V solar fuse. It meets UL electrical requirements, is available in multiple case sizes and has an optional cover to enclose the lugs.

Features/Benefits

- Narrow width increases space savings
- Range of amperages to match all SPNH fuse options

Specifications

Voltage Ratings	1500VDC
Ampere Ratings	200, 400, 630 A
Interrupt Rating	30kA
Termination Type	Stud Mount
Base Temp Rating	
Approvals	UL4248-1 UL4248-19 FILE: E345481 Vol. 2
Environmental Material	RoHS Compliant Fuse Clip: Silver Plated Copper Spring: Zinc Plated Steel Mounting Plate: Zinc Plated Steel Insulator: Ceramic
Flammability Rating	UL94 V-0

Recommended Fuses

SPNH Series

Web Resources

Sample requests, downloadable CAD drawings, dimensions and other technical information:

Littelfuse.com/LFNH

For a comprehensive overview of solar market solutions, visit: **Littelfuse.com/Solar**

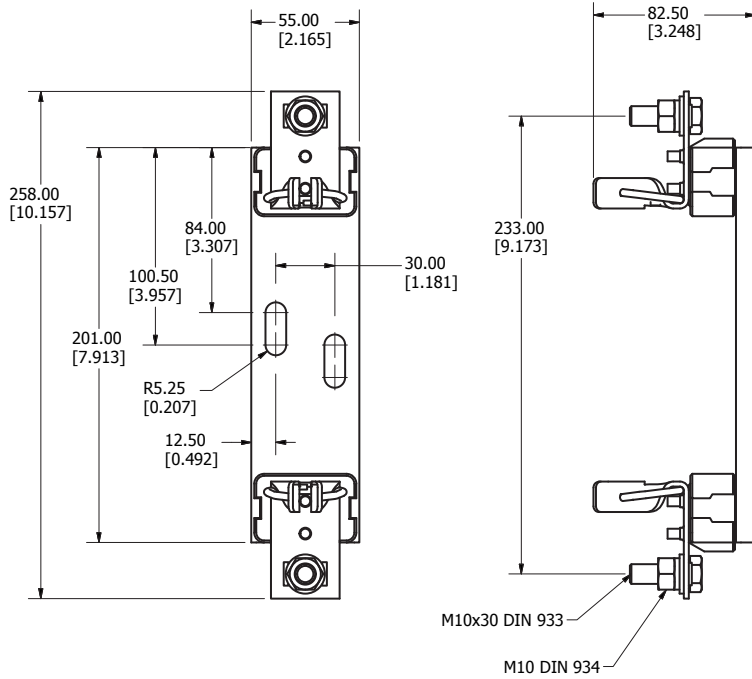
Ordering Information

AMPERAGE	ORDERING NUMBER	FUSE SIZE	RECOMMENDED TORQUE		TERMINAL COVER ORDERING NUMBER*
			TERMINAL	BASE	
200	LFNH152001CST	NH1XL	283 in-lb (32 N-m)	132 in-lb (15 N-m)	LFNH15200FBC
400	LFNH154001CST	NH2XL	283 in-lb (32 N-m)	132 in-lb (15 N-m)	LFNH15400FBC
630	LFNH156301CST	NH3L	283 in-lb (32 N-m)	132 in-lb (15 N-m)	LFNH15630FBC

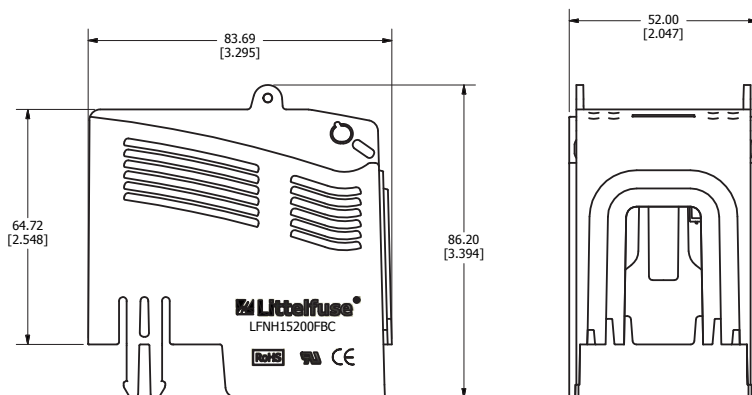
*Terminal Covers Sold Separately

LFNH SERIES FUSE BLOCK

Dimensions Millimeters (in)



Fuseholder
LFNH152001CST

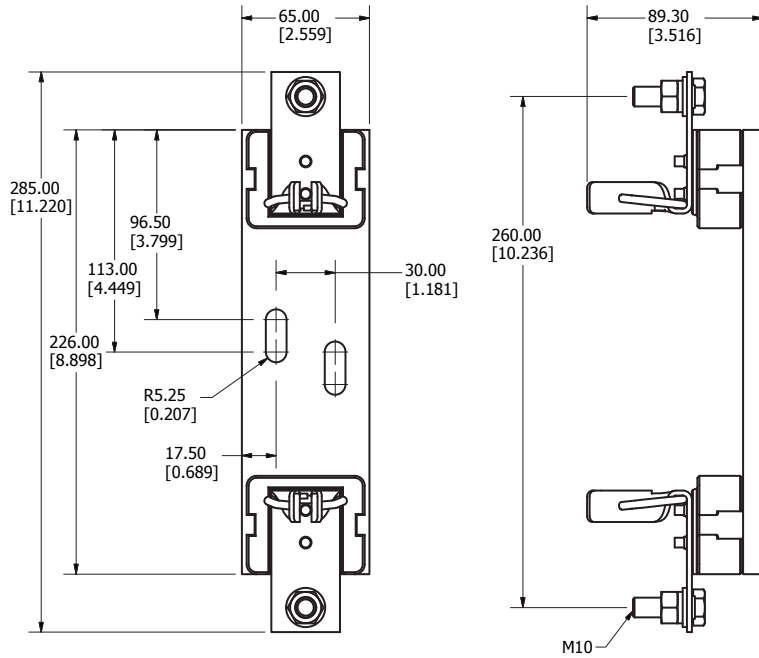


Fuse Terminal Cover
LFNH15200FBC

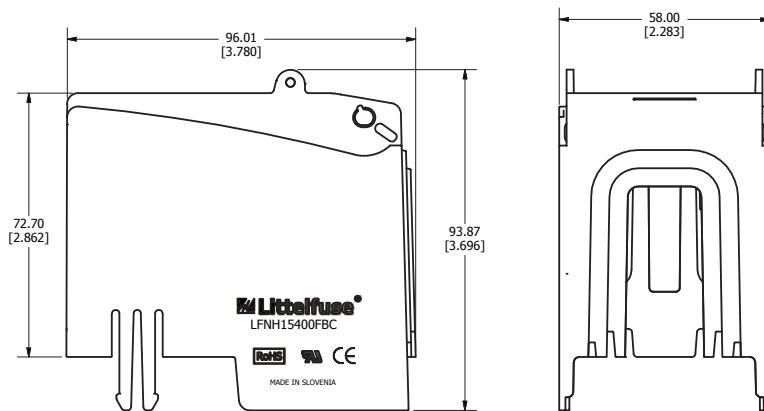
Specifications

Voltage Rating:	1500V
Ampere Rating:	200A
Flammability Rating:	UL94 V-0
Material:	V0 rated Nylon
Packaging:	Sold in pairs

Dimensions Millimeters (in)



Fuseholder
LFNH154001CST

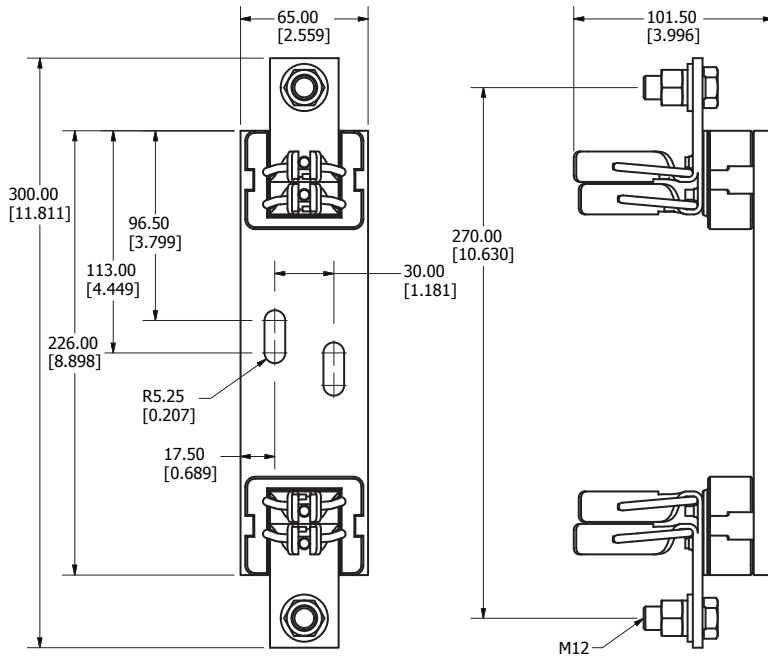


Fuse Terminal Cover
LFNH15400FBC

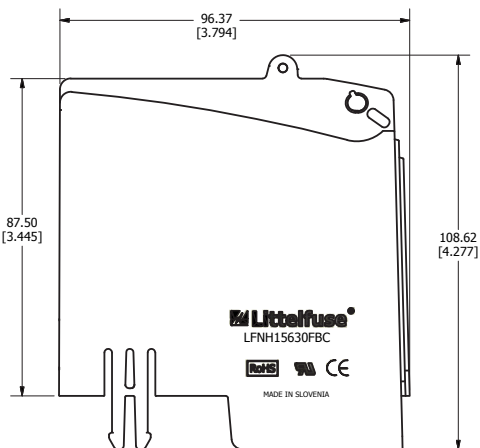
Specifications

Voltage Rating:	1500V
Ampere Rating:	400A
Flammability Rating:	UL94 V-0
Material:	V0 rated Nylon
Packaging:	Sold in pairs

Dimensions Millimeters (in)



Fuseholder
LFNH156301CST



Fuse Terminal Cover
LFNH15630FBC

Specifications

Voltage Rating:	1500V
Ampere Rating:	630A
Flammability Rating:	UL94 V-0
Material:	V0 rated Nylon
Packaging:	Sold in pairs

Disclaimer Notice – Information furnished is believed to be accurate and reliable. However, users should independently evaluate the suitability of and test each product selected for their own applications. Littelfuse products are not designed for, and may not be used in, all applications. Read complete Disclaimer Notice at www.littelfuse.com/product-disclaimer.