

POWR-GARD® Blocks & Holders

LF SERIES CLASS T FUSE BLOCKS

300 V • 600 V



Description

The Littelfuse Class T fuse blocks offer many advantages such as space saving design, mounting flexibility for easier installation, snap-to-release DIN rail mounts and available covers.

Features/Benefits

- Space-saving design
- Accommodates a wide range of existing mounting configurations
- One hand release from DIN rail for 30–60 A fuses
- Reinforced fuse clips are standard
- Covers available for most amperages to enhance safety
- Both hex and slot set screw options available on 60 A box lugs

Ordering Information (Class T 300 V)

| AMPERE RATING | POLE | ORDERING NUMBER | | | | | TORQUE | WIRE RANGE | WIRE TYPE | BASE TEMP RATING | DIN RAIL MOUNT | COVER ORDERING NUMBER* | | | | |
|---------------|------|----------------------|-----------------|--------------|----------------|-------|---------------------------|-------------|-------------------------|-------------------------|-------------------------|-------------------------|-------------------------|-------------|---|---|
| | | BASE ORDERING NUMBER | TERMINAL SUFFIX | | | | | | | | | | | | | |
| | | | BOX LUG HEX | BOX LUG SLOT | PRESSURE PLATE | SCREW | | | | | | | | | | |
| 30 | 1 | LFT300301 | — | C | — | — | 5.6 N-m (50 in-lbs) | 2–4 AWG | CU-AL Solid/Stranded | 125 °C | • | LFT30030FBC | | | | |
| | 2 | LFT300302 | | | | | 2.8 N-m (25 in-lbs) | 6–14 AWG | | | | | | | | |
| | 3 | LFT300303 | | | | | 5.6 N-m (50 in-lbs) | 2–4 AWG | | | | | | | | |
| 60 | 1 | LFT300601 | C-HX | C | — | — | 5.6 N-m (50 in-lbs) | 2–4 AWG | | CU-AL Solid/Stranded | 125 °C | • | LFT30060FBC | | | |
| | 2 | LFT300602 | | | | | 2.8 N-m (25 in-lbs) | 6–14 AWG | | | | | | | | |
| | 3 | LFT300603 | | | | | 13.6 N-m (120 in-lbs) | 2/0–6 AWG | | | | | | | | |
| 100 | 1 | LFT301001 | CS | — | — | — | 4.5 N-m (40 in-lbs) | 8 AWG | | | CU-AL Solid/Stranded | 130 °C | — | LFT30100FBC | | |
| | 3 | LFT301003 | | | | | 4.0 N-m (35 in-lbs) | 10–14 AWG | | | | | | | | |
| | 1 | LFT302001 | | | | | 31.1 N-m (275 in-lbs) | 250 kcmil-6 | | | | | | | | |
| 200 | 3 | LFT302003 | CS | — | — | — | (2) 31.1 N-m (275 in-lbs) | 250 kcmil-6 | | | | CU-AL Solid/Stranded | 130 °C | — | — | |
| | 1 | LFT304001 | | | | | | | | | | | | | | |
| 400 | 3 | LFT304003 | CS | — | — | — | (2) 42.4 N-m (375 in-lbs) | 500 kcmil-6 | | | | | CU-AL Solid/Stranded | 130 °C | — | — |
| | 1 | LFT306001 | | | | | | | | | | | | | | |
| 600 | 3 | LFT306003 | CS | — | — | — | | | CU-AL Solid/Stranded | | | | | 130 °C | — | — |
| | 1 | LFT306001 | | | | | | | | | | | | | | |

Specifications

| | |
|----------------------------|--|
| Voltage Ratings | 300 V/600 V |
| Ampere Ratings | 0–600 A |
| Leakage Current | <0.6 mA at 600 V |
| Withstand Rating | 200 kA RMS SYM |
| Materials: | |
| Base | Thermoplastic |
| Fuse Clip | Tin plated copper alloy |
| Box Lug | Aluminum |
| Fuse Studs | Zinc plated steel |
| Pressure Plate | Zinc plated steel |
| Screw | Zinc plated steel |
| Flammability Rating | UL 94 V-0 |
| Approvals | UL Listed (File: E14721) CSA Certified (File: LR7316) |
| Environmental | RoHS Compliant, Lead (Pb) Free |

Recommended Fuses

- 300 V JLLN
- 600 V JLLS

Web Resources

Sample requests, downloadable CAD drawings and other technical information:

- Littelfuse.com/lft
- Littelfuse.com/fuseblocks

POWR-GARD® Blocks & Holders

LF SERIES CLASS T FUSE BLOCKS

Ordering Information (Class T 600 V)

| AMPERE RATING | POLES | ORDERING NUMBER | | | | | TORQUE | WIRE RANGE | WIRE TYPE | BASE TEMP RATING | DIN RAIL MOUNT | COVER ORDERING NUMBER* |
|---------------|-------|----------------------|-----------------|--------------|----------------|-------|---------------------------|-------------|-------------------------|------------------|----------------|------------------------|
| | | BASE ORDERING NUMBER | TERMINAL SUFFIX | | | | | | | | | |
| | | | BOX LUG HEX | BOX LUG SLOT | PRESSURE PLATE | SCREW | | | | | | |
| 30 | 1 | LFT600301 | — | C | P | S | 5.6 N-m (50 in-lbs) | 2-4 AWG | * see note | 125 °C | • | LFT60030FBC |
| | 2 | LFT600302 | | | | | 2.8 N-m (25 in-lbs) | 6-14 AWG | | | | |
| | 3 | LFT600303 | | | | | | | | | | |
| 60 | 1 | LFT600601 | C-HX | C | — | — | 5.6 N-m (50 in-lbs) | 2-4 AWG | CU-AL Solid/Stranded | 125 °C | • | LFT60060FBC |
| | 2 | LFT600602 | | | | | 2.8 N-m (25 in-lbs) | 6-14 AWG | | | | |
| | 3 | LFT600603 | | | | | | | | | | |
| 100 | 1 | LFT601001 | CS | — | — | — | 13.6 N-m (120 in-lbs) | 2/0-6 AWG | CU-AL Solid/Stranded | 130 °C | — | LT60100FBC |
| | 3 | LFT601003 | | | | | 4.5 N-m (40 in-lbs) | 8 AWG | | | | |
| | | | | | | | 4.0 N-m (35 in-lbs) | 10-14 AWG | | | | |
| 200 | 1 | LFT602001 | CS | — | — | — | 31.1 N-m (275 in-lbs) | 250 kcmil-6 | CU-AL Solid/Stranded | 130 °C | — | LT60200FBC |
| | 3 | LFT602003 | | | | | | | | | | |
| 400 | 1 | LFT604001 | CS | — | — | — | (2) 31.1 N-m (275 in-lbs) | 250 kcmil-6 | CU-AL Solid/Stranded | 130 °C | — | LT60400FBC |
| | 3 | LFT604003 | | | | | | | | | | |
| 600 | 1 | LFT606001 | CS | — | — | — | (2) 42.4 N-m (375 in-lbs) | 500 kcmil-6 | CU-AL Solid/Stranded | 130 °C | — | LT60600FBC |
| | 3 | LFT606003 | | | | | | | | | | |

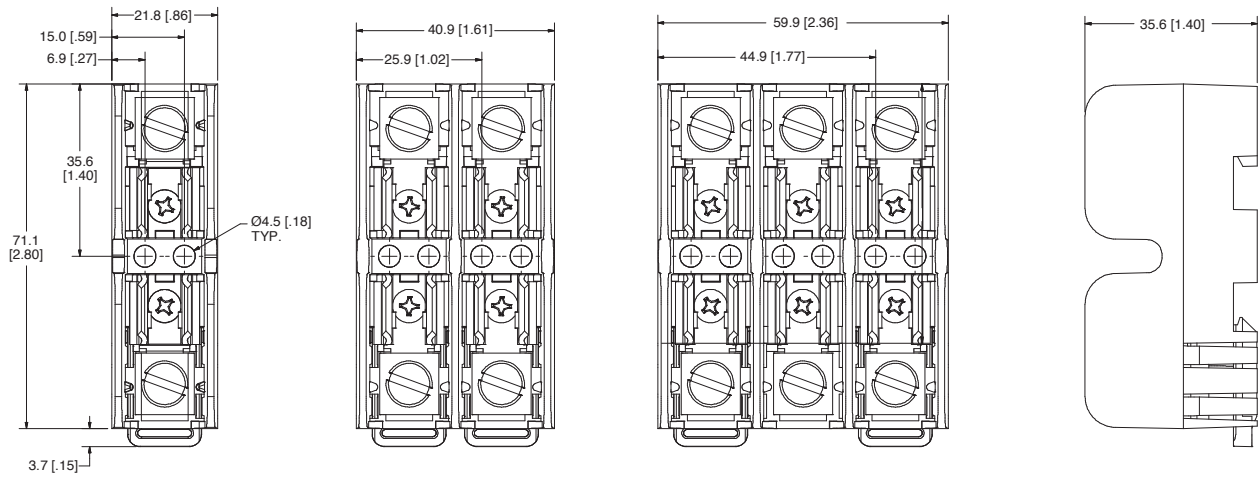
* Covers sold individually. One cover needed for each pole.
 † Wire type for pressure plate and screw terminal is CU only

POWR-GARD® Blocks & Holders

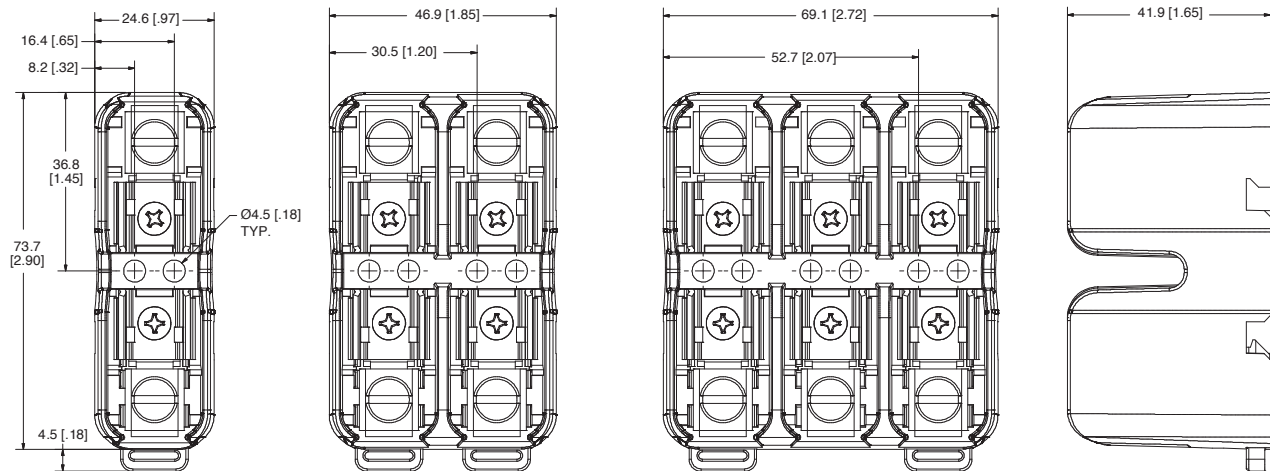
LF SERIES CLASS T FUSE BLOCKS

Dimensions mm (inches)

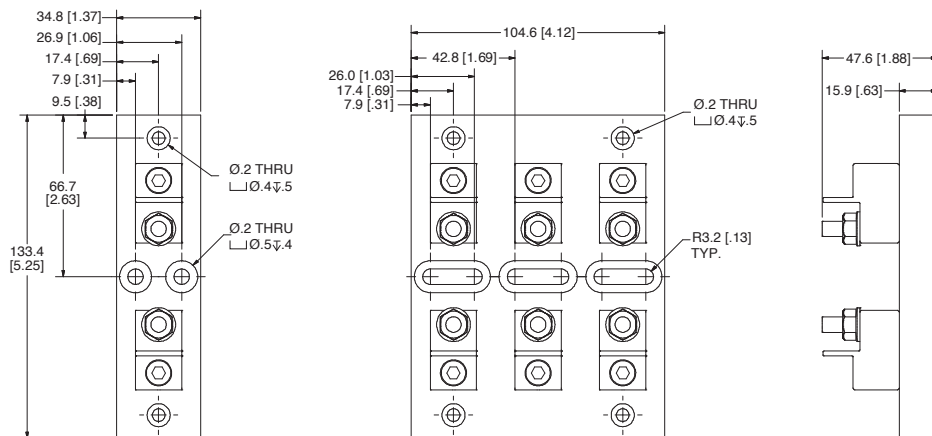
300 V 30 A



300 V 60 A



300 V 100 A

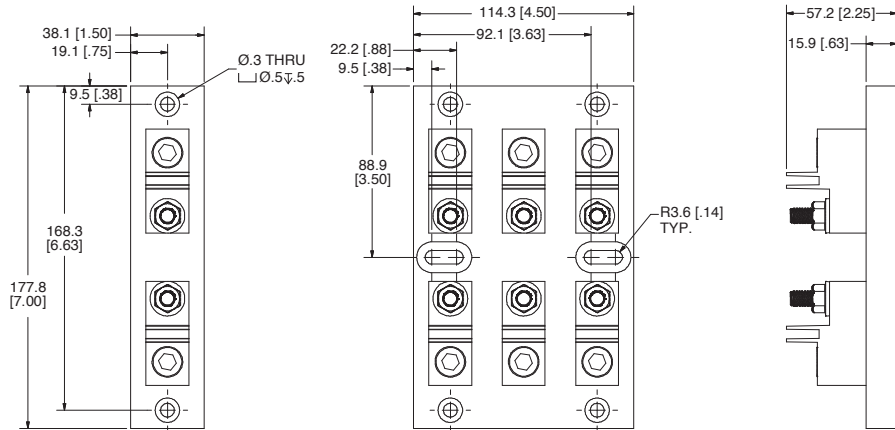


POWR-GARD® Blocks & Holders

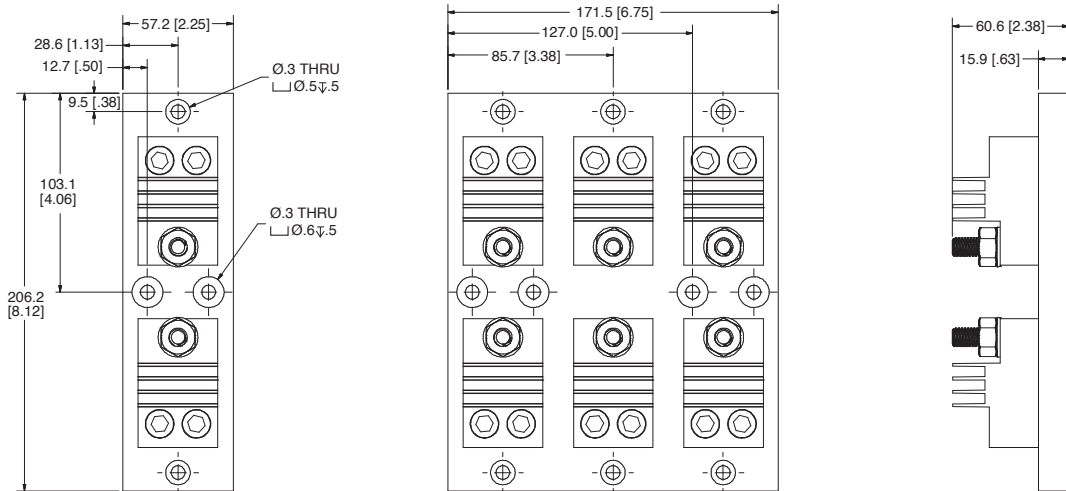
LF SERIES CLASS T FUSE BLOCKS

Dimensions mm (inches)

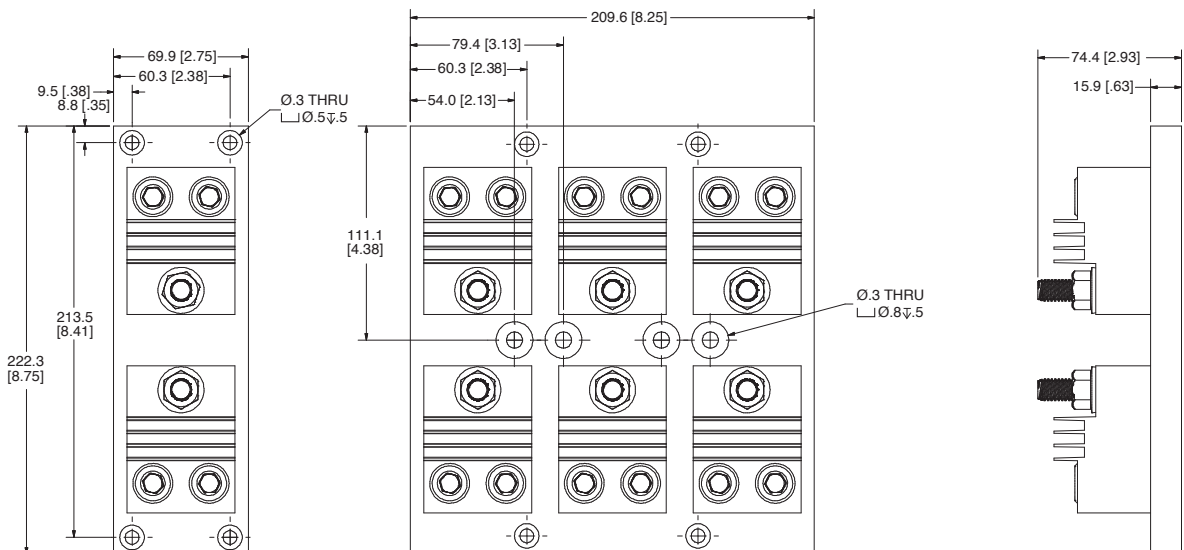
300 V 200 A



300 V 400 A



300 V 600 A

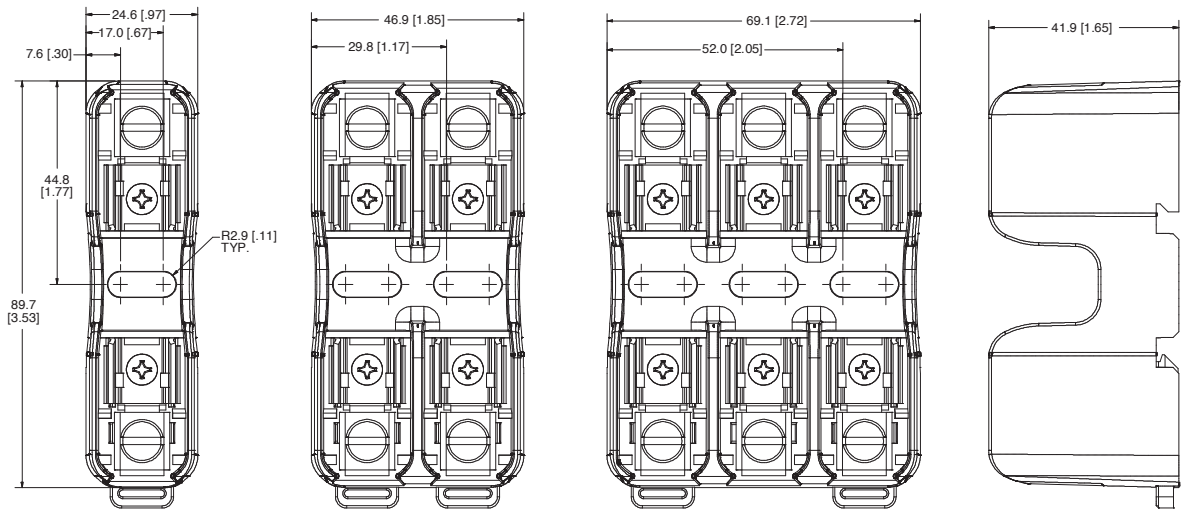


POWR-GARD® Blocks & Holders

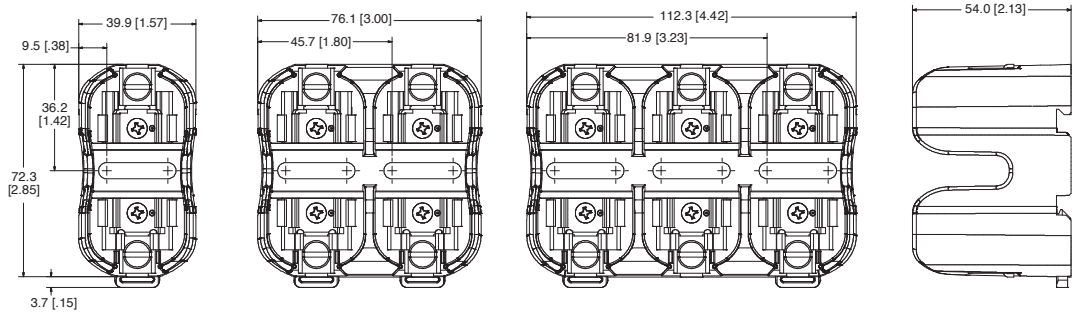
LF SERIES CLASS T FUSE BLOCKS

Dimensions mm (inches)

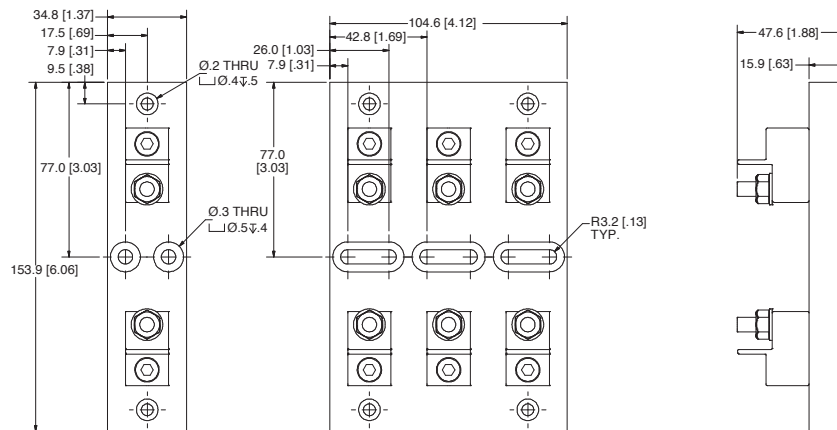
600 V 30 A



600 V 60 A



600 V 100 A

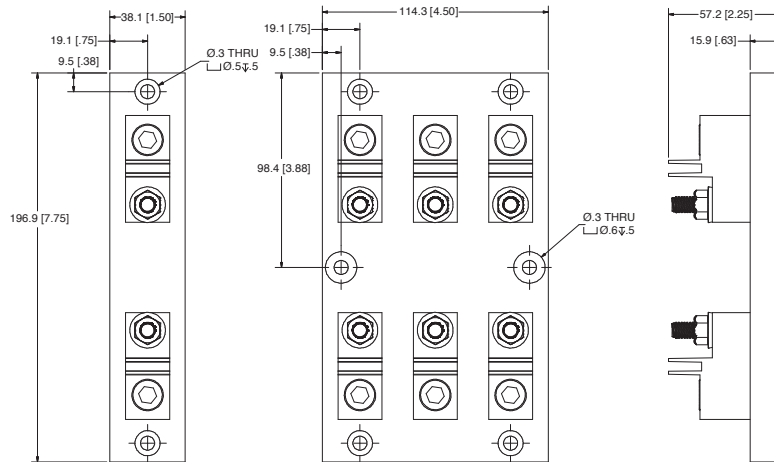


POWR-GARD® Blocks & Holders

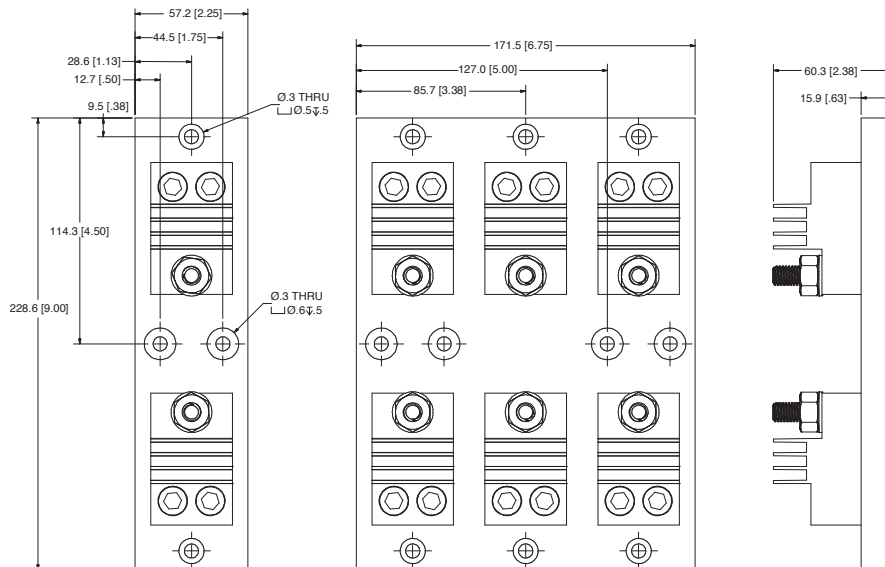
LF SERIES CLASS T FUSE BLOCKS

Dimensions mm (inches)

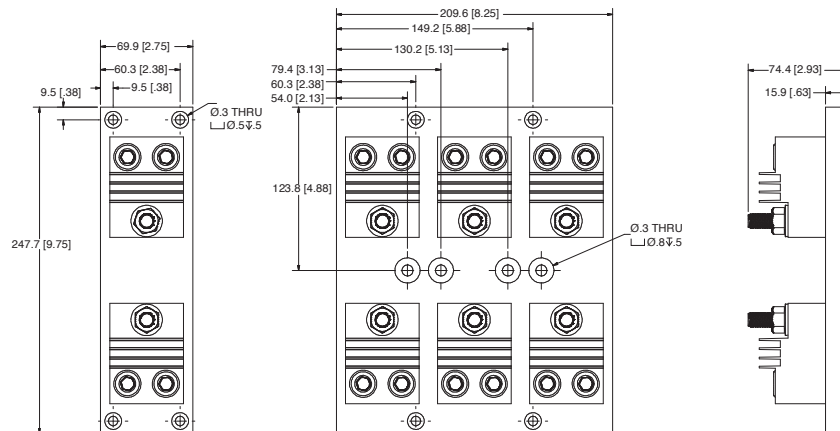
600 V 200 A



600 V 400 A



600 V 600 A



Disclaimer Notice - Information furnished is believed to be accurate and reliable. However, users should independently evaluate the suitability of and test each product selected for their own applications. Littelfuse products are not designed for, and may not be used in, all applications. **Read complete Disclaimer Notice at www.littelfuse.com/product-disclaimer.**