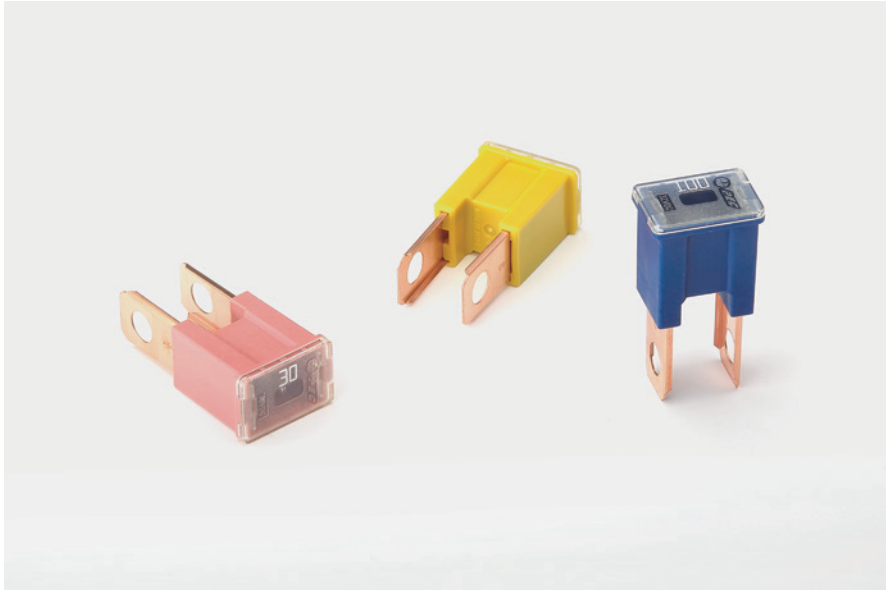


SBFC-BT

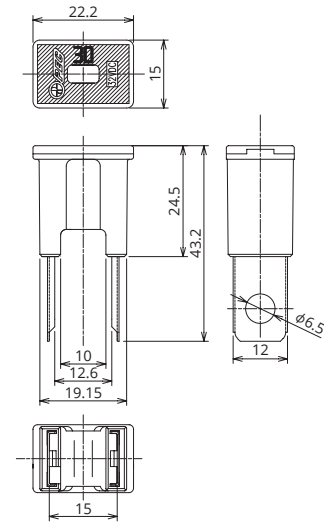
Bolt type fuse



General Specification

Rated Voltage	DC32V
Breaking Capacity	1000A
Operation Temperature	-40°C~120°C
Standard	ISO8820-4
Country of Origin	Japan
Plating	—
Standard Packaging	500
Insertion Force	—
Extraction Force	—
Recommended Torque	6.0N±1

Dimensions



Product Lineup

Ampere Rating(A)	Part Number	Housing Colors	Resistance Value	Voltage Drop
30	3136	Pink	3.0 mΩ	94 mV
40	3146	Green	2.2 mΩ	98 mV
50	3156	Red	1.7 mΩ	95 mV
60	3166	Yellow	1.3 mΩ	83 mV
70	3176	Brown	1.0 mΩ	93 mV
80	3186	Black	0.84 mΩ	66 mV
100	3206	Blue	0.67 mΩ	66 mV
120	3226	White	0.62 mΩ	62 mV
140	3246	Maroon	0.55 mΩ	86 mV

Time-Current Characteristic

% of Ampere Rating(A)	Operating Time	
	Min	Max
110%	100hrs.	—
200%	5sec.	100sec.
350%	0.2sec.	7sec.
600%	0.04sec.	1sec.

*The fuse characteristic may change depending on the conditions of use.

Time-Current Characteristic Chart

