

SBFC-M

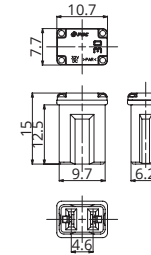
The SBFC-M is a more compact and more lightweight SBFC-LPJ fuse. It is the world's smallest and lightest SBF



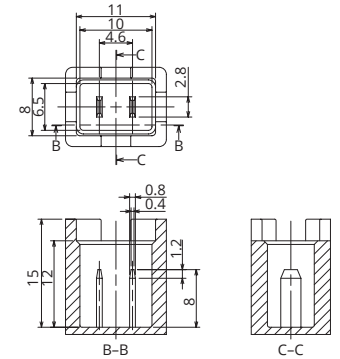
General Specification

Rated Voltage	DC32V
Breaking Capacity	1000A
Operation Temperature	-40°C~120°C
Standard	JASO D612-4
Country of Origin	Japan/Mexico
Plating	Sn Plating
Standard Packaging	4,000
Insertion Force	44.1N
Extraction Force	4N~24.5N
Recommended Torque	—

Dimensions



Cavity



Product Lineup

Ampere Rating(A)	Part Number	Housing Colors	Resistance Value	Voltage Drop
15	3113	Gray	5.3 mΩ	97 mV
20	3123	Light Blue	4.0 mΩ	94 mV
25	3173	White	3.1 mΩ	93 mV
30	3133	Pink	2.6 mΩ	92 mV
40	3143	Green	2.1 mΩ	98 mV

Time-Current Characteristic

% of Ampere Rating(A)	Operating Time	
	Min	Max
110%	100hrs.	—
135%	60sec.	1800sec.
200%	5sec.	60sec.
350%	0.2sec.	7sec.
600%	0.04sec.	1sec.

*The fuse characteristic may change depending on the conditions of use.

Time-Current Characteristic Chart

