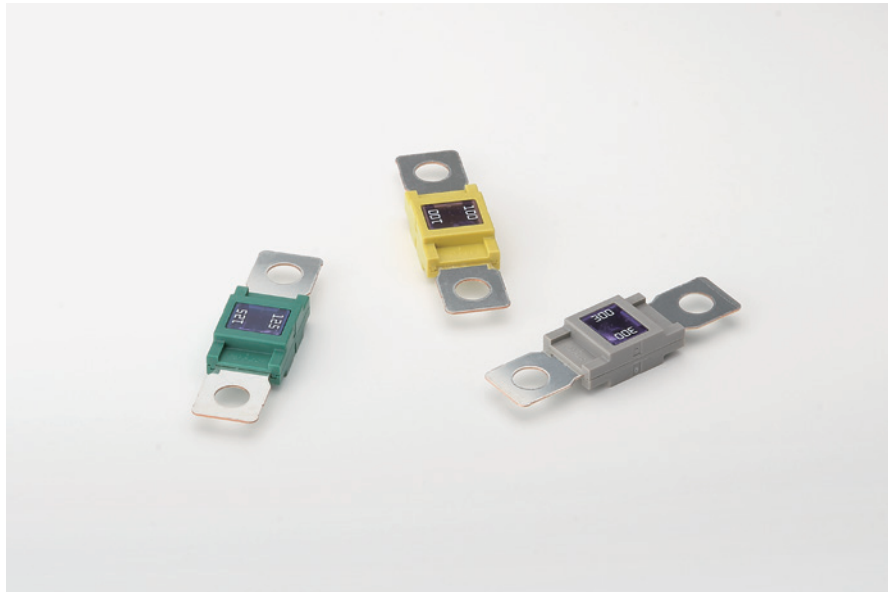


# SBFW-K

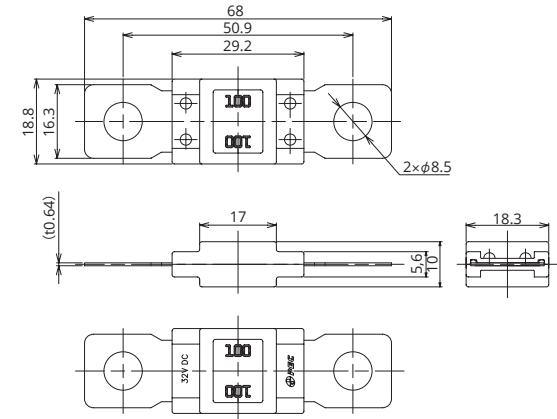
## High-amperage bolt type fuse



### General Specification

Rated Voltage	DC32V
Breaking Capacity	2000A
Operation Temperature	-40°C~125°C
Standard	ISO8820-5
Country of Origin	Mexico
Plating	Sn Plating
Standard Packaging	1,200
Insertion Force	—
Extraction Force	—
Recommended Torque	12.0N±1

### Dimensions



### Product Lineup

Ampere Rating(A)	Part Number	Housing Colors	Resistance Value	Voltage Drop
80	3102	Red	0.72 mΩ	85 mV
100	3112	Yellow	0.58 mΩ	83 mV
125	3122	Green	0.44 mΩ	82 mV
150	3132	Orange	0.36 mΩ	89 mV
175	3142	White	0.32 mΩ	91 mV
200	3152	Blue	0.30 mΩ	95 mV
225	3162	Tan	0.26 mΩ	97 mV
250	3172	Pink	0.24 mΩ	100 mV
300	3182	Gray	0.20 mΩ	63 mV <sup>*3</sup>
350	3134	Dark Green	0.18 mΩ	50 mV <sup>*3</sup>
400	3144	Violet	0.16 mΩ	52 mV <sup>*3</sup>
450	3154	Dark Yellow	0.14 mΩ	56 mV <sup>*3</sup>
500	3164	Brown	0.13 mΩ	63 mV <sup>*3</sup>

\*3 Voltage drop: apply 75% of the rated current.

### Time-Current Characteristic [80A-250A]

% of Ampere Rating(A)	Operating Time	
	Min	Max
100%	4hrs.	—
135%	120sec.	1800sec.
200%	1sec.	15sec.
350%	0.3sec.	5sec.
600%	0.1sec.	1sec.
500%	0.1sec.	1sec.

### Time-Current Characteristic [300A-500A]

% of Ampere Rating(A)	Operating Time	
	Min	Max
75%	4hrs.	—
200%	1sec.	15sec.
350%	0.5sec.	5sec.
600%	0.1sec.	1sec.

\*The fuse characteristic may change depending on the conditions of use.

### Time-Current Characteristic Chart

